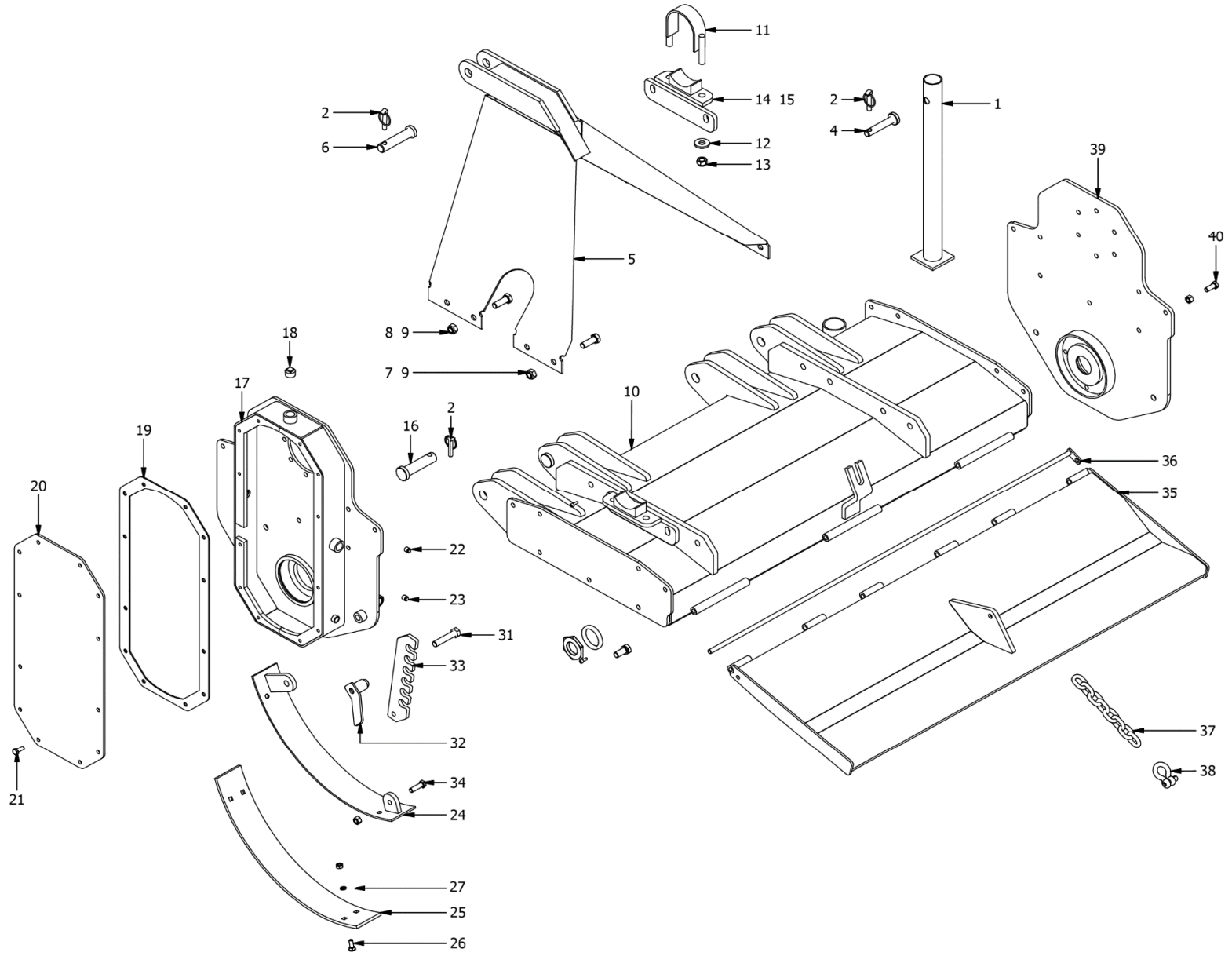
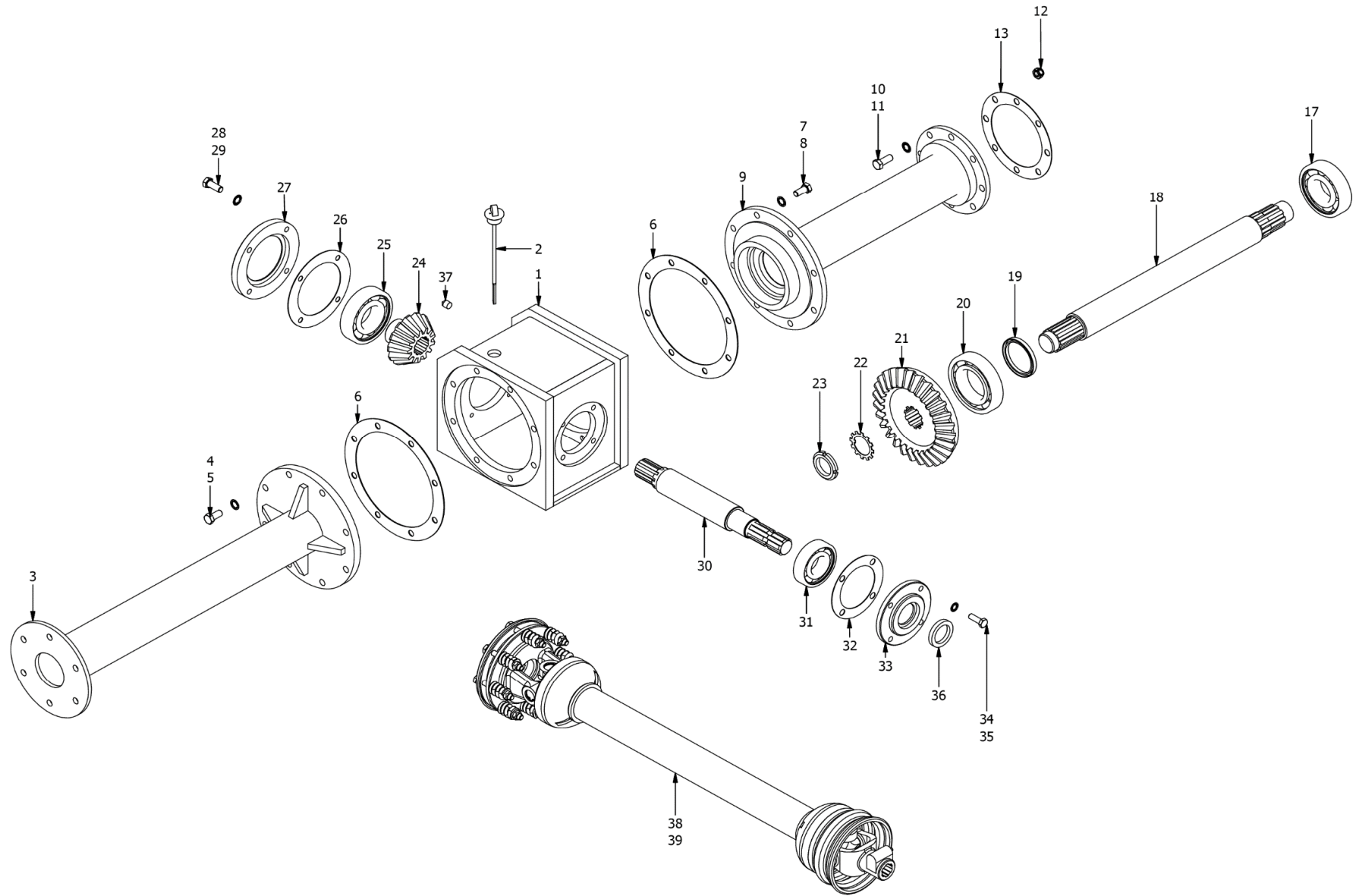


Rotavator - Main



Rotavator - Transmission

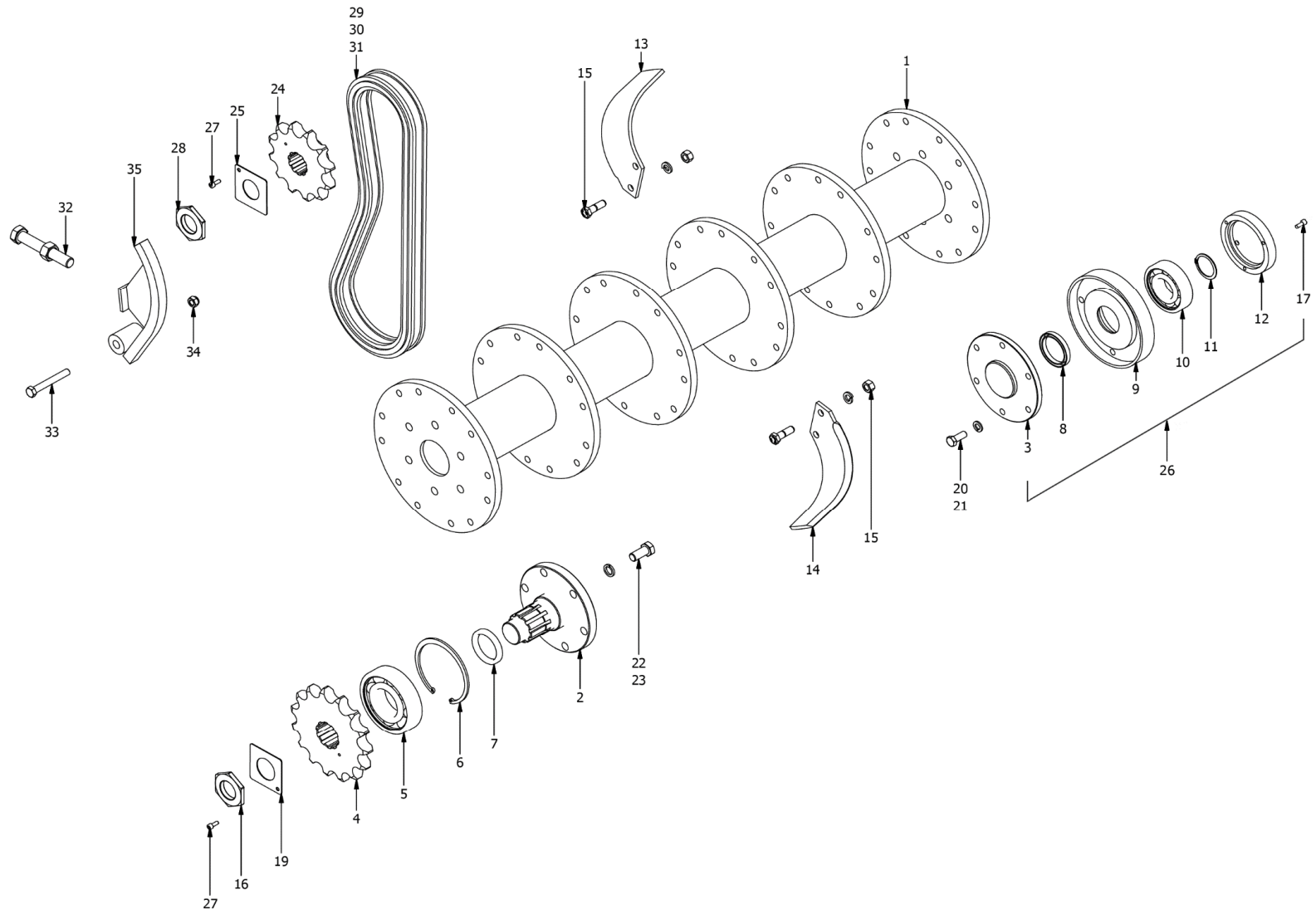


Rotavator - Transmission

Item	Part No.	Description	125	150	175	200	Item	Part No.	Description	125	150	175	200
1	H4200	Casing Gearbox Rotavator	1	1	1	1	36	M4403	Seal 40x55x8	1	1	1	1
2	M1439	Plug + Dipstick	1	1	1	1	37	R6228	Plug 1/4" BSP	1	1	1	1
3	H4248	Support tube Gearbox F200				1	38	T600760CE112F22	PTO shaft B6 + Friction clutch FF2	1	1		
3	H4247	Support tube Gearbox F175			1		39	T800760CE112F42	PTO shaft B8 + Friction clutch FF4			1	1
3	H4246	Support tube Gearbox F150		1			40	M3231	Gear oil Renep 1000	A/R	A/R	A/R	A/R
3	H4245	Support tube Gearbox F125	1										
4	M41225	Bolt M12x25 HT Galv	8	8	8	8							
5	M81201	Washer Non-slip M12	8	8	8	8							
6	M4406	Gasket Side	2	2	2	2							
7	M41225	Bolt M12x25 HT Galv	8	8	8	8							
8	M81201	Washer Non-slip M12	8	8	8	8							
9	H4243	Housing Jackshaft F200				1							
9	H4242	Housing Jackshaft F175			1								
9	H4241	Housing Jackshaft F150		1									
9	H4244	Housing Jackshaft F125	1										
10	M41240	Bolt M12x40 HT	8	8	8	8							
11	M81201	Washer Non-slip M12	8	8	8	8							
12	M61209	Nut Nylock M12	8	8	8	8							
13	M4407	Gasket	1	1	1	1							
17	M4401	Bearing 6310-2RS	1	1	1	1							
18	H4233	Jackshaft F200				1							
18	H4232	Jackshaft F175			1								
18	H4231	Jackshaft F150		1									
18	H4230	Jackshaft F125	1										
19	M4404	Seal 65x80x8	1	1	1	1							
20	M4402	Bearing 6213	1	1	1	1							
21	H4221	Gear Bevel Z28/z10	1	1	1	1							
22	M4416	Lock washer MB8	1	1	1	1							
23	M4415	Lock nut KM8	1	1	1	1							
24	H4215	Gear Bevel Z13/z10	1	1	1	1							
25	M4400	Bearing Plate 6308-2RS	1	1	1	1							
26	M4408	Gasket Rear	4	4	4	4							
27	H4229	Cover Rear	1	1	1	1							
28	M41030	Bolt M10x30 HT Galv	4	4	4	4							
29	M81001	Washer Non-slip M10	4	4	4	4							
30	H4210	Shaft Input	1	1	1	1							
31	M4401	Bearing 6310-2RS	1	1	1	1							
32	M4405	Gasket Input cover	2	2	2	2							
33	H4220	Cover Input	1	1	1	1							
34	M41030	Bolt M10x30 HT Galv	4	4	4	4							
35	M81001	Washer Non-slip M10	4	4	4	4							

A/R = as required

Rotavator - Drive and Rotor

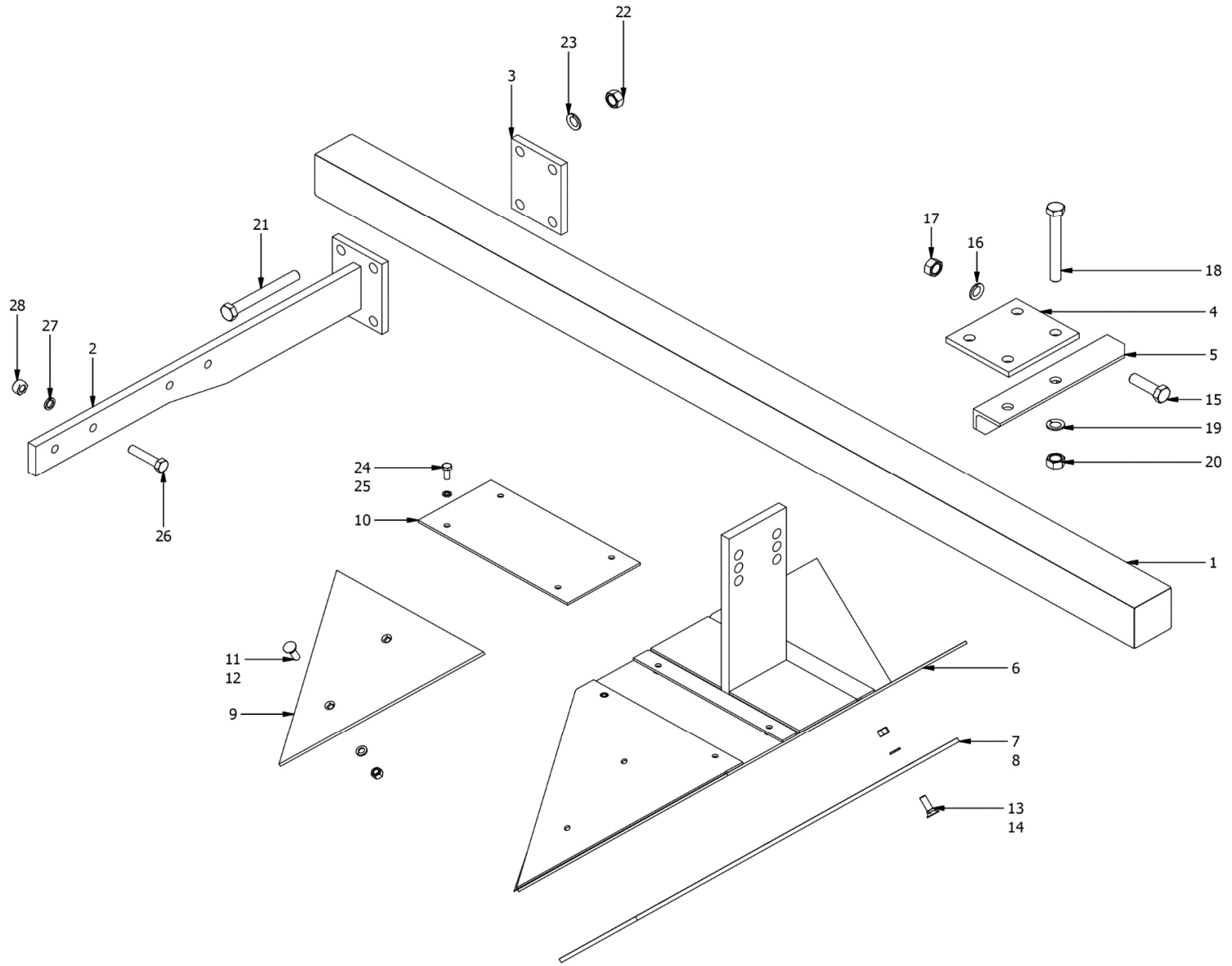


Rotavator - Drive and Rotor

Item	Part No.	Description	125	150	175	200	Item	Part No.	Description	125	150	175	200
1	H4043	Rotor F200				1							
1	H4042	Rotor F175			1								
1	H4041	Rotor F150		1									
1	H4040	Rotor F125	1										
2	H4250	Stub axle Drive	1	1	1	1							
3	H4078	Stub axle Idler	1	1	1	1							
4	M4080	Sprocket 15T	1	1	1	1							
5	M4414	Bearing 6312-2NSE	1	1	1	1							
6	M4413	Circlip Int 130mm	1	1	1	1							
7	M4411	Seal 70x90x10	1	1	1	1							
8	M4410	Seal 55x70x10	1	1	1	1							
9	H4060	Housing Idler bearing	1	1	1	1							
10	M4409	Bearing 6309-2RS1	1	1	1	1							
11	M4412	Circlip Ext 45mm	1	1	1	1							
12	H4077	Cover Idler bearing	1	1	1	1							
13	4438	Blade Rotavator Speed LH	15	18	21	24							
14	4439	Blade Rotavator Speed RH	15	18	21	24							
15	M41338	Bolt 1/2"x1-1/2"UNF 12.9+Nut+Washer	60	72	84	96							
16	H4261	Nut M45-1.5 Special	1	1	1	1							
17	M1784	Cap Screw M6x16	3	3	3	3							
19	H4263	Lock Plate 80x80x1.6-46mm	1	1	1	1							
20	M41230	Bolt M12x30 HT Galv	6	6	6	6							
21	M91213	Washer Spring M12 Galv	22	22	22	22							
22	M41635	Bolt M16x35 HT Galv	6	6	6	6							
23	M91604	Washer Spring M16 Galv	8	8	8	8							
24	M4079	Sprocket 12T	1	1	1	1							
25	H4262	Lock plate 80x80x1.6-41mm	1	1	1	1							
26	H4061	Idler bearing kit	1	1	1	1							
27	M50616	Cap Screw M6x16	2	2	2	2							
28	H4260	Nut M40-1.5 Special	1	1	1	1							
29	M4435	Drive chain 24B-01	1	1	1	1							
30	M4441	Offset link 24B-01	1	1	1	1							
31	M4436	Connecting link 24B-01	1	1	1	1							
32	M120125	Adjuster Chain M20x125	1	1	1	1							
33	M41280	Bolt M12x80 HT Galv	1	1	1	1							
34	M61209	Nut Nylock M12	1	1	1	1							
35	H4070	Tensioner Drive chain	1	1	1	1							
40	M3231	Gear Oil Renep Compound 1000	A/R	A/R	A/R	A/R							

A/R = as required

Rotavator - Bedformer



Rotavator - Bedformer

Item	Part No.	Description	125	150	175	200	Item	Part No.	Description	125	150	175	200
1	H0626	Tool bar Bedformer F125	1										
1	H0627	Tool bar Bedformer F150		1									
1	H0628	Tool bar Bedformer F175			1								
1	H0629	Tool bar Bedformer F200				1							
2	H7146	Carrier beam	2	2	2	2							
3	H0011	Attachment plate	2	2	2	2							
4	H0017	Attachment plate	2	2	2	2							
5	H0015	Mounting bracket 70x70x8	2	2	2	2							
6	H0010	Bedformer	2	2	2	2							
7	H0012	Wear plate R	2	2	2	2							
8	H0013	Wear plate L	2	2	2	2							
9	H0016	Wear plate F	2	2	2	2							
10	H0014	Cover	2	2	2	2							
11	M21240	Plough Bolt M12x40 + Nut Galv	4	4	4	4							
12	M91213	Washer Spring M12 Galv	4	4	4	4							
13	M21240	Plough Bolt M12x40 + Nut Galv	12	12	12	12							
14	M91213	Spring Washer M12 Galv	12	12	12	12							
15	M12070	Bolt M20x70 HT Galv	4	4	4	4							
16	M92004	Washer Spring M20	4	4	4	4							
17	M32015	Nut M20 Galv	4	4	4	4							
18	M420160	Bolt M20x160 HT Galv	8	8	8	8							
19	M92004	Washer Spring M20 Galv	8	8	8	8							
20	M32015	Nut M20 Galv	8	8	8	8							
21	M420170	Bolt M20x170 HT Galv	8	8	8	8							
22	M32015	Nut M20 Galv	8	8	8	8							
23	M92004	Washer Spring M20 Galv	8	8	8	8							
24	M11025	Bolt M10x25 + Nut Galv	8	8	8	8							
25	M91002	Washer Spring M10 Galv	8	8	8	8							
26	M41675	Bolt M16x75 HT Galv	8	8	8	8							
27	M91604	Washer Spring M16 Galv	8	8	8	8							
28	M31612	Nut M16 HT Galv	8	8	8	8							
29	M3175	Decal PROUD TO BE SOUTH AFRICAN	1	1	1	1							