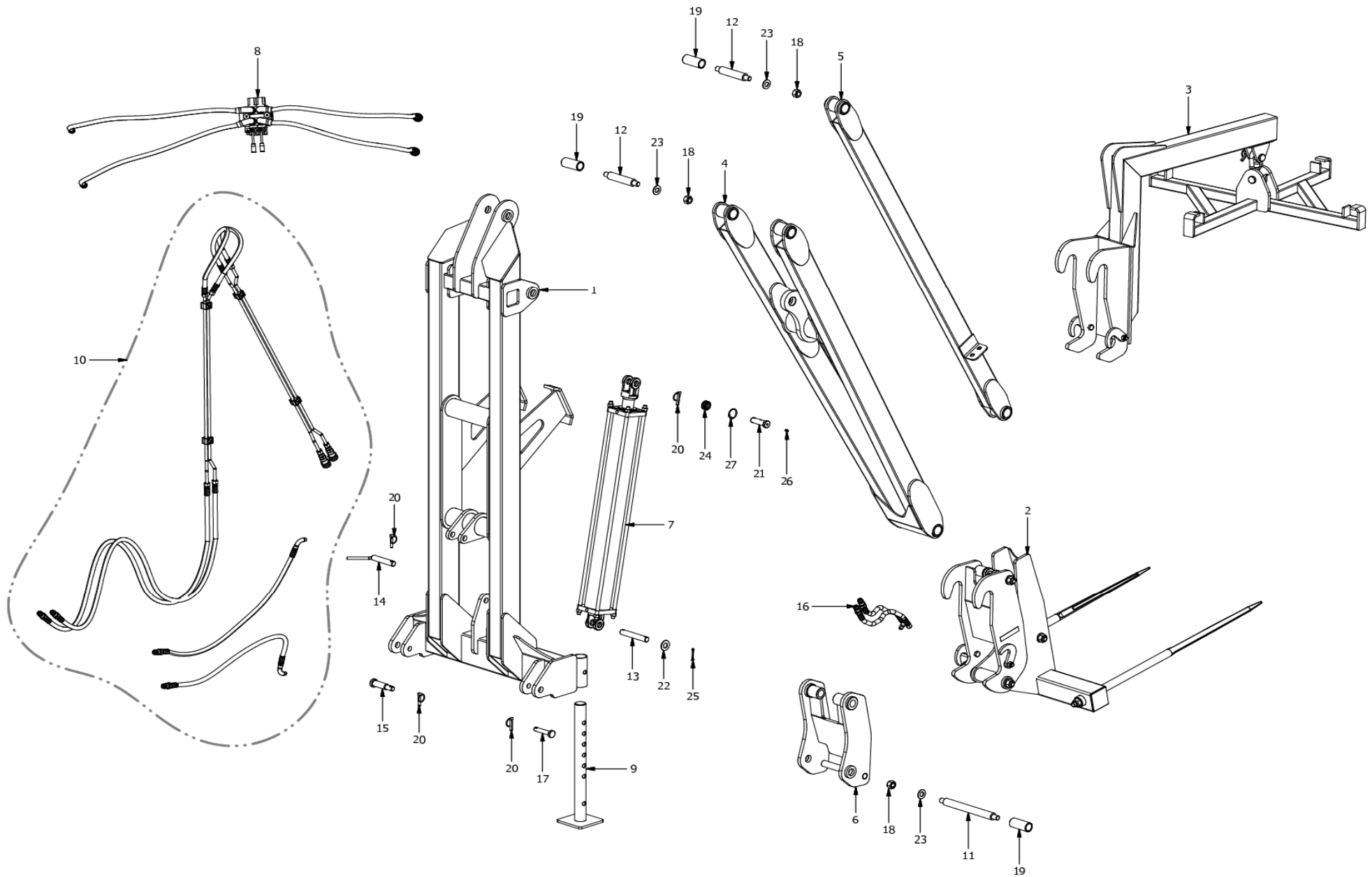


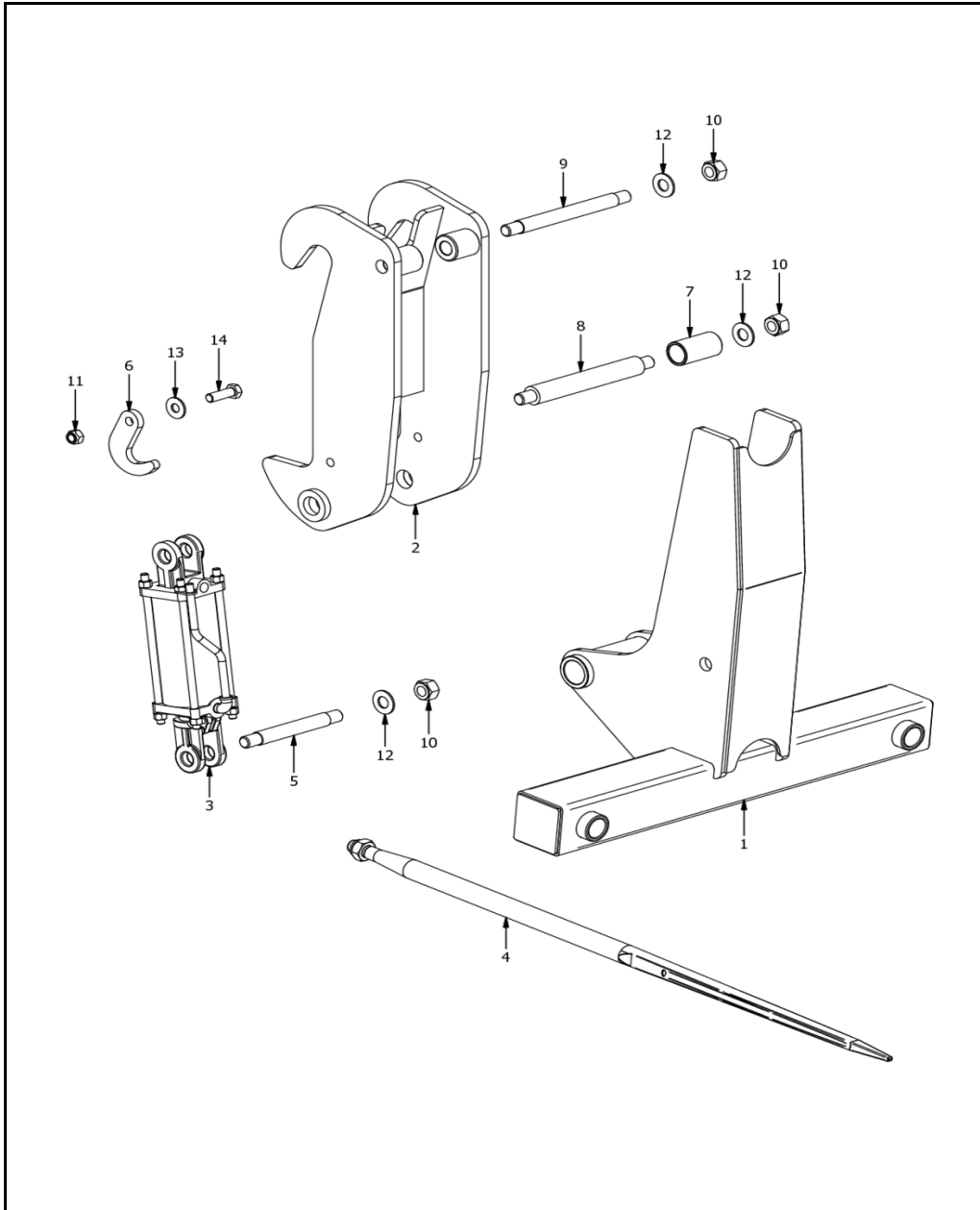
F1000 Uniloader® with spike attachment, swivel hook, cruciform and control valve
A7502 / A7503 / A7504 / A7505 / A7506



F1000 Uniloader® with spike attachment, swivel hook, cruciform and control valve
A7502 / A7503/ A7504 / A7506 / A7506

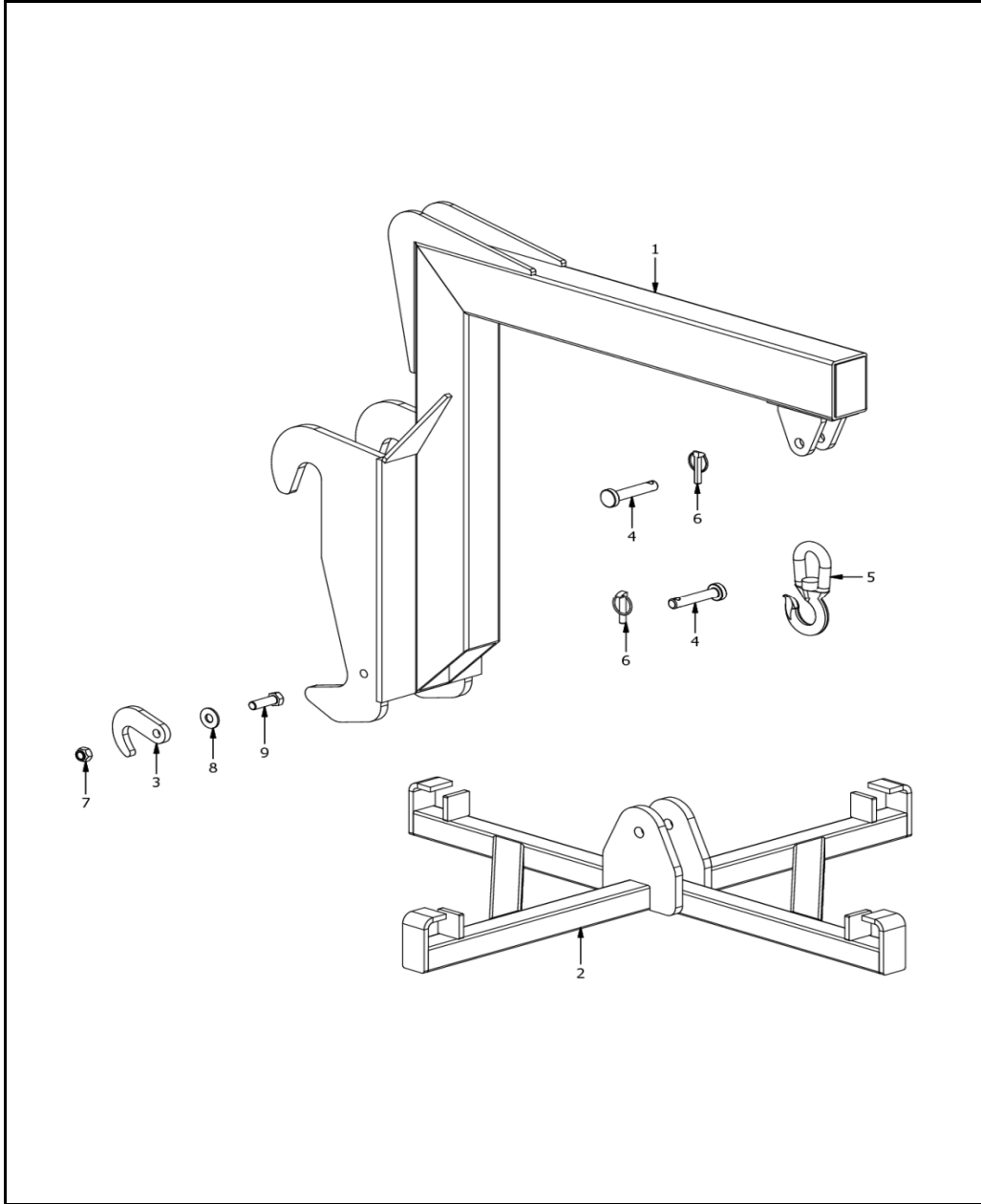
Item	Part No.	Description	Qty	Item	Part No.	Description	Qty
1	H9100	Mast	1				
2	A7512	Bale fork Assembly	1				
3	A7513	Hook + Cruciform	1				
4	H9101	Boom	1				
5	H9102	Top Link	1				
6	H9103	Head mount	1				
7	M9150	Cylinder Hyd DB40036-200	1				
8	H9049	Kit Hydraulic Remote	1				
9	H9027	Parking stand Adjustable	2				
10	M9192	Kit Hydraulic	1				
11	M9146	Pin D35x356 M22	2				
12	M9147	Pin D35x207 M22	3				
13	M9151	Pin D25x158-136	1				
14	H0634	Pin Top link Cat2-125	1				
15	H0645	Pin Btm link Cat2/1	2				
16	M9193	Kit Hydraulic	1				
17	H0631	Pin Top link Cat1	2				
18	M62222	Nut Nyloc M22	10				
19	M9126	Bush 35.3x45x100 Supamide	6				
20	FLP11	Lynchpin 11mm	6				
21	H9109	Pin D25x83-74.5 Special	1				
22	M9165	Washer 25x50x3	2				
23	M3721	Washer 23x45x3	10				
24	M7419	Bearing GE25ES	1				
25	M1416	Split pin B5x60	2				
26	M10039	Grease nipple 1/8inch	1				
27	M7420	Circlip Int 42.0	1				
28	M3003	Serial plate Metal FALCON	1				
29	M3169	Decal Bird FALCON Small	2				
30	M3199	Decal F1000 Uniloader	2				
31	M3239	Decal RETURN TO REST POSITION	2				

**Bale fork F1000 Uniloader
A7512**



Item	Part No.	Description	Qty
1	H9105	Bale fork F1000 Uniloader	1
2	H9104	Head mount F1000	1
3	M9160	Cylinder DB30006-125	1
4	M7137	Bale spike + Nut M22	2
5	M9140	Pin D25x210 M22	1
6	M9134	Head Attachment Hook	2
7	M9138	Bush 35x45x80 Supamide	2
8	M9139	Pin D35x292 M22	1
9	M9135	Pin D25x270 M22	1
10	M62222	Nut Nyloc M22	6
11	M61616	Nut Nyloc M16	2
12	M3721	Washer 23x45x3	6
13	M81603	Washer M16x40x3	2
14	M41650	Bolt M16x50 HT	2
15	M3196	Decal Max Load 1000kg	2
16	M3175	Decal PROUD TO BE SOUTH AFRICAN	1
17	M3182	Decal Check fitting position	1

**Hook + Cruciform F1000 Unloader
A7513**



Item	Part No.	Description	Qty
1	H9106	Gooseneck F1000 Unloader	1
2	H9110	Cruciform F1000 Unloader	1
3	M9134	Head Attachment Hook	2
4	H0631	Pin Top link Cat1	2
5	M9161	Hook Swivel 3T/GR2	1
6	FLP11	Lynchpin 11mm	2
7	M61616	Nut Nyloc M16	2
8	M81603	Washer M16x40x3	2
9	M41650	Bolt M16x50 HT	2
10	M3196	Decal Max Load 1000kg	2
11	M3175	Decal PROUD TO BE SOUTH AFRICAN	1