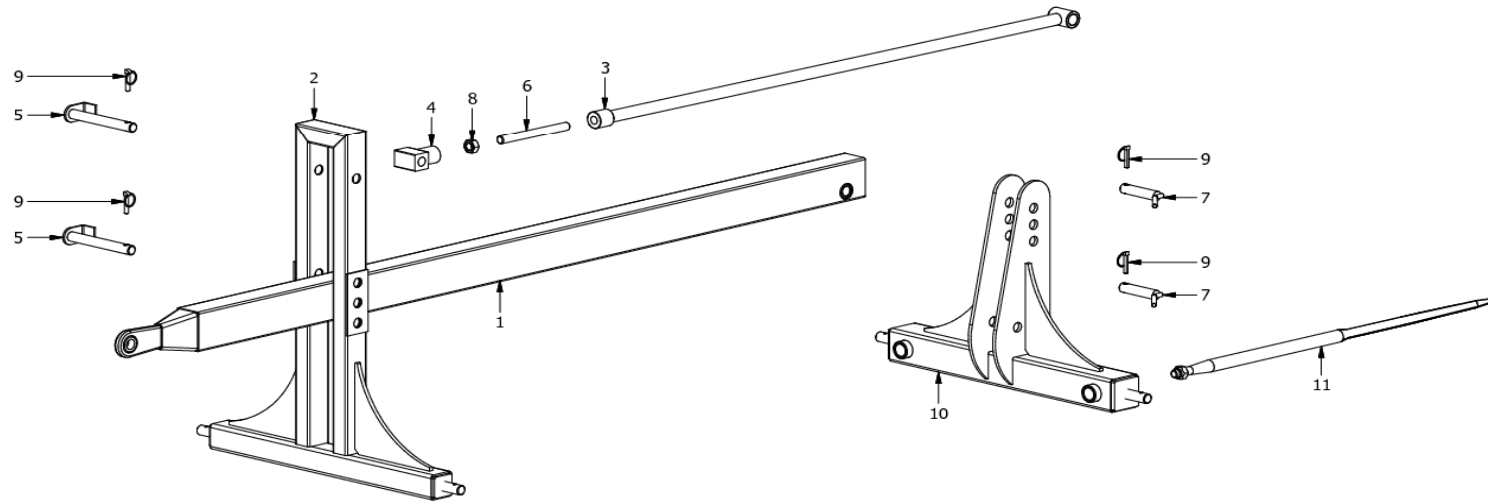
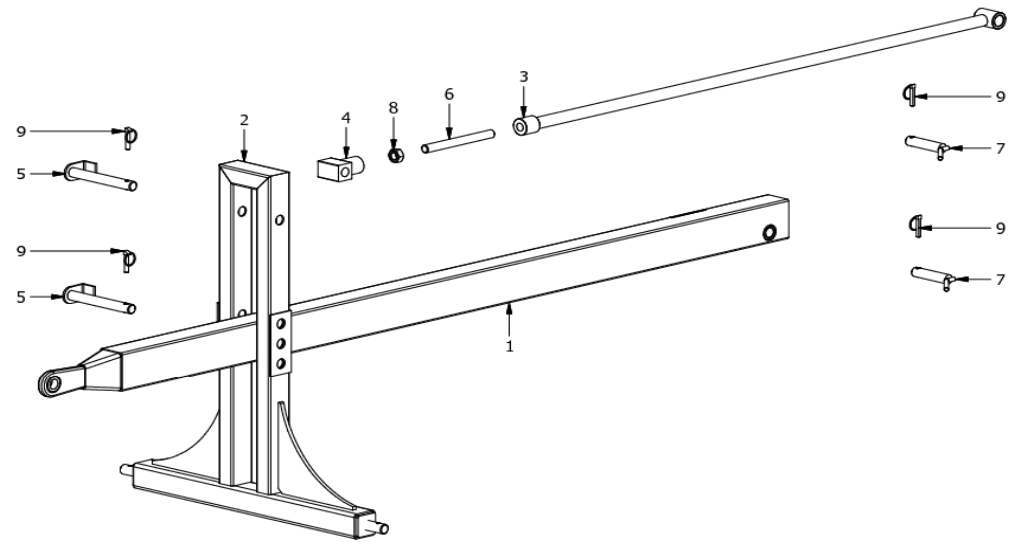
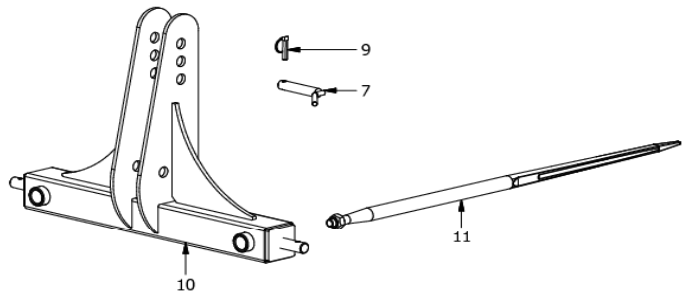


Bale Fork / Long Beam / Bale Fork + Long Beam 2.7m
A7101 / A7105 / A7111



**Bale Fork
A7111**

**Long Beam
A7105**

Item	Part No.	Description	Qty	Item	Part No.	Description	Qty
7	H0634	Pin Top link Cat 2-125mm	1	1	H7126	Beam	1
9	FLP11	Lynchpin 11mm	1	2	H7130	Carrier mast	1
10	H7110	Bale fork	1	3	H7121	Adjust arm	1
11	M7137	Bale spike + Nut M22	2	4	H7127	Adjust block M24	1
14	M3175	Decal PROUD TO BE SOUTH AFRICAN	1	5	H7135	Pin Pivot Cat 2-235mm	2
15	M3086	Decal Falcon Logo 65x110	2	6	M7136	Thread bar M24x250	1
16	M3182	Decal Check fitting position	1	7	H7115	Pin Btm link Cat2 125mm	2
20	M8403	Operators manual Material Handling	1	8	M32418	Nut M24	1
				9	FLP11	Lynchpin 11mm	4
				12	M3169	Decal Bird FALCON Small	1
				13	M3075	Decal Warning (Bale Loader)	1
				14	M3175	Decal PROUD TO BE SOUTH AFRICAN	1
				20	M8403	Operators manual Material Handling	1

**Bale Fork and Long Beam
A7101**

Item	Part No.	Description	Qty	Item	Part No.	Description	Qty
1	H7126	Beam	1				
2	H7130	Carrier mast	1				
3	H7121	Adjust arm	1				
4	H7127	Adjust block M24	1				
5	H7135	Pin Pivot Cat 2-235mm	2				
6	M7136	Thread bar M24x250	1				
7	H7115	Pin Btm link Cat2 125mm	2				
8	M32418	Nut M24	1				
9	FLP11	Lynchpin 11mm	4				
10	H7110	Bale fork	1				
11	M7137	Bale spike + Nut M22	2				
12	M3169	Decal Bird FALCON Small	1				
13	M3075	Decal Warning (Bale Loader)	1				
14	M3175	Decal PROUD TO BE SOUTH AFRICAN	1				
15	M3086	Decal Falcon Logo 65x110	2				
16	M3182	Decal Check fitting position	1				
20	M8403	Operators manual Material Handling	1				