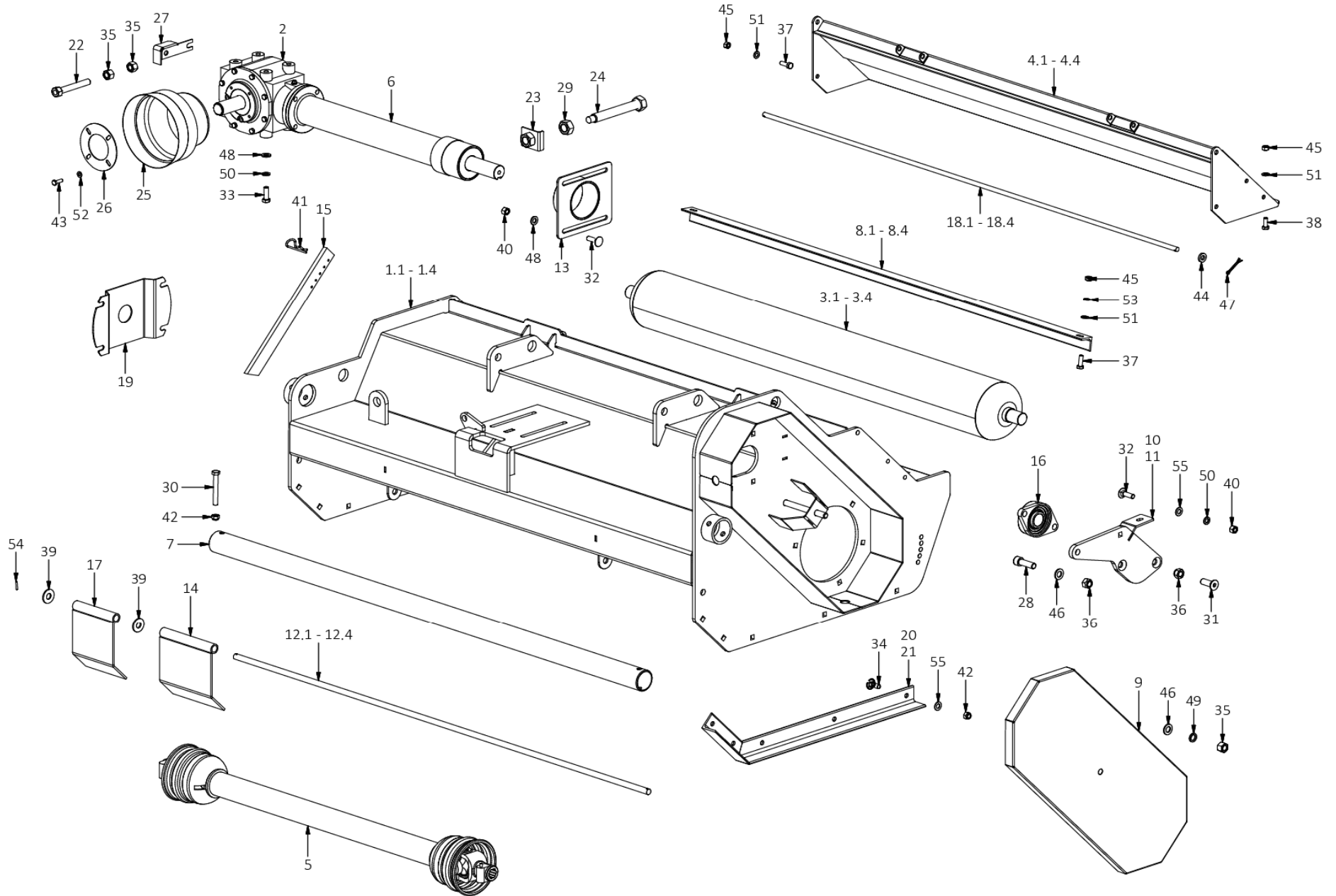


# Flail Cutter: Main Body

1 = F150 (A0102) 2 = F170 (A0103) 3 = F210 (A0105) 4 = F230 (A0106)

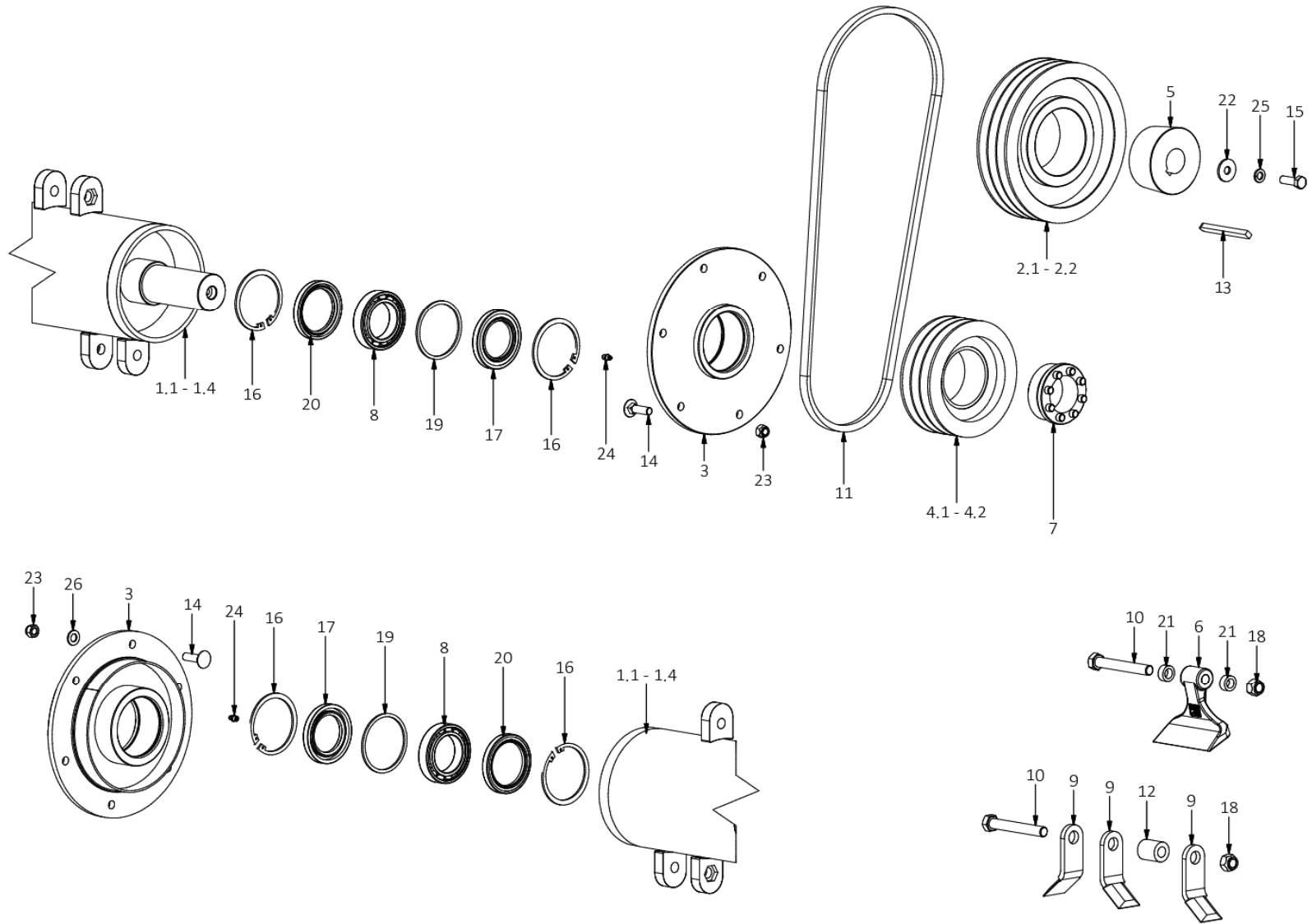


**Flail Cutter: Main Body**

**1 = F150 (A0102) 2 = F170 (A0103) 3 = F210 (A0105) 4 = F230 (A0106)**

Item	Part No.	Description	1	2	3	4	Item	Part No.	Description	1	2	3	4
1.1	H5602	Deck 1500	1				23	H5661	Nut Captured	1	1	1	1
1.2	H5603	Deck 1700		1			24	H5662	Leadscrew M24x190	1	1	1	1
1.3	H5605	Deck 2100			1		25	M1141	PTO Counter-cone Rnd	1	1	1	1
1.4	H5606	Deck 2300				1	26	M5579	Plate 4-M8@PCD105 2.0 MS PLB0	1	1	1	1
2	M5650	Gearbox T311J Comer	1	1	1	1	27	H5665	Bracket Adjust	1	1	1	1
3.1	H5622	Roller 1500 D165.0	1				28	M51650	Hexagon Socket Head Cap Screw	2	2	2	2
3.2	H5623	Roller 1700 D165.0		1			29	M32418	Nut M24	1	1	1	1
3.3	H5625	Roller 2100 D165.0			1		30	M41290	Bolt M12x90HT	4	4	4	4
3.4	H5626	Roller 2300 D165.0				1	31	M51645	Cap screw M16 x 45 CSK	4	4	4	4
4.1	H5632	Cover Discharge 1500	1				32	M712040	Carriage bolt M12x40	6	6	6	6
4.2	H5633	Cover Discharge 1700		1			33	M41235	Bolt M12x35HT	5	5	5	5
4.3	H5635	Cover Discharge 2100			1		34	M712030	Carriage bolt M12x30	10	10	10	10
4.4	H5636	Cover Discharge 2300				1	35	M11640	Bolt + Nut M16x40HT	3	3	3	3
5	T601010CE112112	PTO shaft T60 1010 112 112	1	1	1	1	36	M61616	Nut Nyloc M16	6	6	6	6
6	M5651	Extension 780mm Comer	1	1	1	1	37	M41030	Bolt M10x30HT	6	6	6	6
7	H5620	Rail Sliding Lower	1	1	1	1	38	M41025	Bolt M10x25HT	4	4	4	4
8.1	H5692	Scraper 1500	1				39	M81603	Washer M16x40x3	9	10	12	13
8.2	H5693	Scraper 1700		1			40	M31209	Nut M12	6	6	6	6
8.3	H5695	Scraper 2100			1		41	M5235	R-clip 4mm	14	16	20	22
8.4	H5696	Scraper 2300				1	42	M61209	Nut Nyloc M12	12	12	12	12
9	H5649	Cover Belt drive	1	1	1	1	43	M40825	Bolt M8x25HT	4	4	4	4
10	H5656	Bearing carrier L Adjust	1	1	1	1	44	M5723	Washer 13x25x5 5.0	2	2	2	2
11	H5657	Bearing carrier R Adjust	1	1	1	1	45	M31007	Nut M10	10	10	10	10
12.1	H5684	Pin 1500 D16.0	1				46	M81602	Washer Flat M16x40x2	3	3	3	3
12.2	H5685	Pin 1700 D16.0		1			47	M1399	Split pin B4x60	2	2	2	2
12.3	H5687	Pin 2100 D16.0			1		48	M8577	Washer profiled 12.5x30x4.5	8	8	8	8
12.4	H5688	Pin 2300 D16.0				1	49	M91604	Washer Spring M16	1	1	1	1
13	H5658	Baseplate Tensioner Ext shaft	1	1	1	1	50	M91213	Washer Spring M12	6	6	6	6
14	H5653	Flap Safety Main	6	7	9	10	51	M81002	Washer Flat M10	10	10	10	10
15	H5655	Rake Adjust 40x12x400	14	16	20	22	52	M80803	Washer Flat M8	4	4	4	4
16	M0461	Bearing UCFL207	2	2	2	2	53	M91002	Washer Spring M10	2	2	2	2
17	H5654	Flap Safety End	2	2	2	2	54	M5243	Roll pin 4x25	2	2	2	2
18.1	H5642	Pin 1500 D12.0	1				55	M81202	Washer Flat M12	20	20	20	20
18.2	H5643	Pin 1700 D12.0		1									
18.3	H5645	Pin 2100 D12.0			1								
18.4	H5646	Pin 2300 D12.0				1							
19	M5799	Guard	1	1	1	1							
20	H5647	Skid runner L	1	1	1	1							
21	H5648	Skid runner R	1	1	1	1							
22	H5666	Leadscrew M16x110	1	1	1	1							

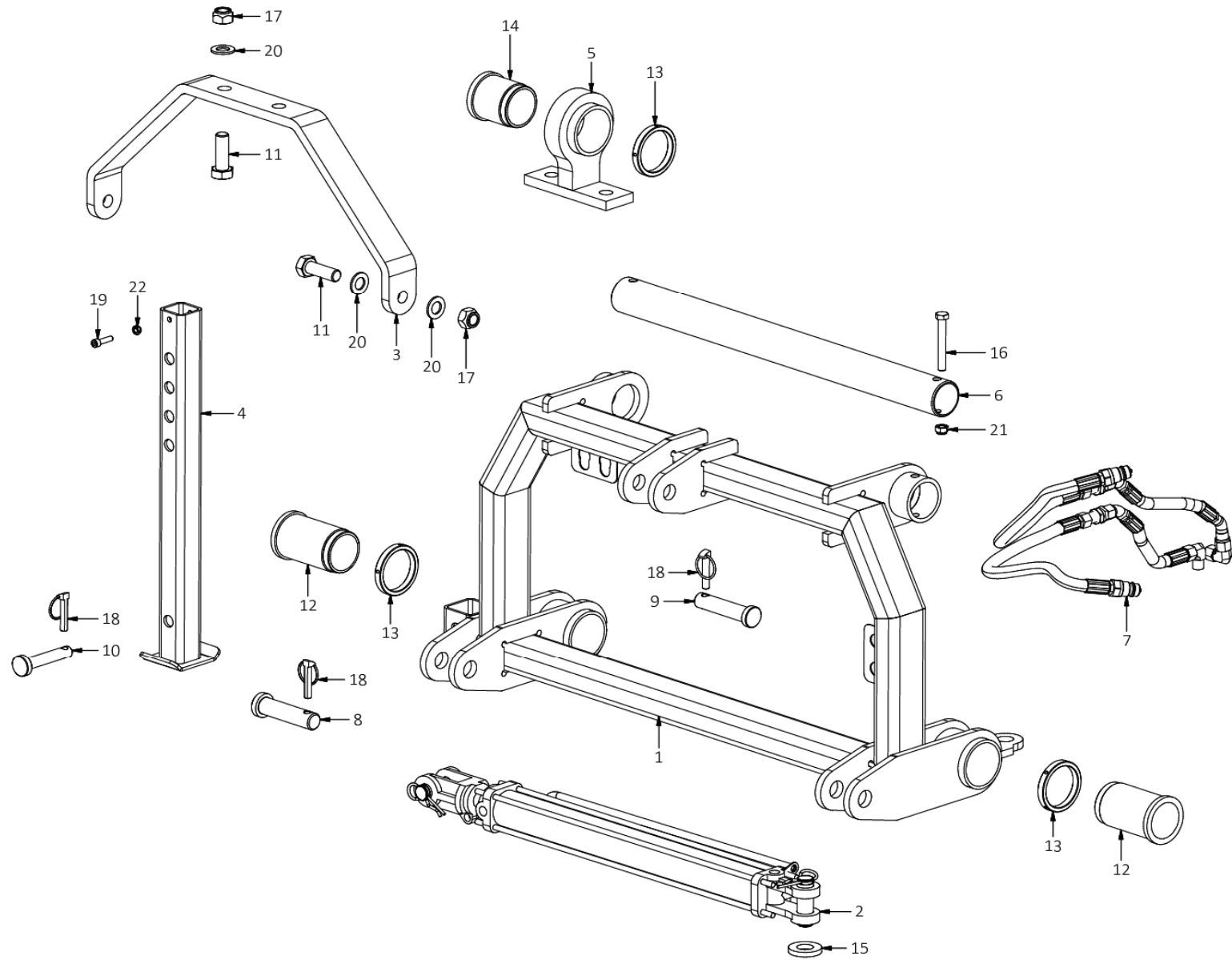
**Flail Cutter: Cutting Gear Assembly**  
**1 = F150 (A0102) 2 = F170 (A0103) 3 = F210 (A0105) 4 = F230 (A0106)**



**Flail Cutter: Cutting Gear Assembly**  
**1 = F150 (A0102) 2 = F170 (A0103) 3 = F210 (A0105) 4 = F230 (A0106)**

Item	Part No.	Description	1	2	3	4	Item	Part No.	Description	1	2	3	4
1.1	H5612	Rotor 1500 x14 mount	1										
1.2	H5613	Rotor 1700 x16 mount		1									
1.3	H5615	Rotor 2100 x20 mount			1								
1.4	H5616	Rotor 2300 x22 mount				1							
2.1	M5718	Pulley SPB 250-3V TL3020-40	1	1									
2.2	M5719	Pulley SPB 250-4V TL3020-40			1	1							
3	H5668	Bearing carrier D95-PCD258	2	2	2	2							
4.1	M5716	Pulley SPB 180-3V FLK133-60x90	1	1									
4.2	M5717	Pulley SPB 180-4V FLK133-60x90			1	1							
5	M5702	Taper-lock bush 3020-40	1	1	1	1							
6	M5735	Hammer Flail MANOB01N0BC 120x110x16	14	16	20	22							
7	M5703	Locking element FLK133-60x90	1	1	1	1							
8	M5705	Bearing 6012	2	2	2	2							
9	M5730	Blade Flail TNOB01N0BC 8x40	42	48	60	66							
10	M616110	Bolt M16x110-10.9	14	16	20	22							
11	M5715	Belt SPB-1600	3	3	4	4							
12	H5675	Bush 17x32x36	14	16	20	22							
13	M5704	Key 12x8x100	1	1	1	1							
14	M712040	Carriage bolt M12x40	12	12	12	12							
15	M41235	Bolt M12x35HT	1	1	1	1							
16	M5708	Circlip Int INT0950	4	4	4	4							
17	M5707	Seal Radial lip 60x95x10	2	2	2	2							
18	M61616	Nut Nyloc M16	14	16	20	22							
19	H5671	Spacer 85x95x3	2	2	2	2							
20	M5706	Seal Radial lip 70x95x10	2	2	2	2							
21	H71610	Bush 17x32x10	28	32	40	44							
22	M8537	Washer 12.5x36x3	1	1	1	1							
23	M61209	Nut Nyloc M12	12	12	12	12							
24	M10039	Grease nipple 1/8"	2	2	2	2							
25	M91213	Washer Spring M12	1	1	1	1							
26	M81202	Washer Flat M12	4	4	4	4							

**Flail Cutter: Hitch Frame Assembly**  
**1 = F150 (A0102) 2 = F170 (A0103) 3 = F210 (A0105) 4 = F230 (A0106)**



**Flail Cutter: Hitch Frame Assembly**  
**1 = F150 (A0102) 2 = F170 (A0103) 3 = F210 (A0105) 4 = F230 (A0106)**

Item	Part No.	Description	1	2	3	4	Item	Part No.	Description	1	2	3	4
1	H5610	Hitch frame Cat2 Inc offset	1	1	1	1							
2	M5659	Cylinder Hyd DB20020-106	1	1	1	1							
3	H5618	Hitch stay	1	1	1	1							
4	H5680	Parking stand Adjustable	1	1	1	1							
5	H5619	Bush carrier Sliding	1	1	1	1							
6	H5630	Rail Sliding Upper	1	1	1	1							
7	M5681	Kit Hydraulic Fixed	1	1	1	1							
8	H0643	Pin Bottom link Cat2	2	2	2	2							
9	H0632	Pin Top link Cat2	1	1	1	1							
10	H0631	Pin Top link Cat1	1	1	1	1							
11	M42060	Bolt M20x60HT	4	4	4	4							
12	H5664	Bush 60x73x125-M70 Supamide	2	2	2	2							
13	M5701	Locknut M70x2.0 KM-14	3	3	3	3							
14	H5663	Bush 60x73x80-M70 Supamide	1	1	1	1							
15	M5479	Washer 26x52x8 8.0	4	4	4	4							
16	M41290	Bolt M12x90HT	2	2	2	2							
17	M20200201	Nut Nyloc M20	4	4	4	4							
18	FLP11	Lynchpin 11mm	4	4	4	4							
19	M8992	Cap screw M8x35	1	1	1	1							
20	M82001	Washer Flat M20	8	8	8	8							
21	M61209	Nut Nyloc M12	2	2	2	2							
22	M60809	Nut Nyloc M8	1	1	1	1							