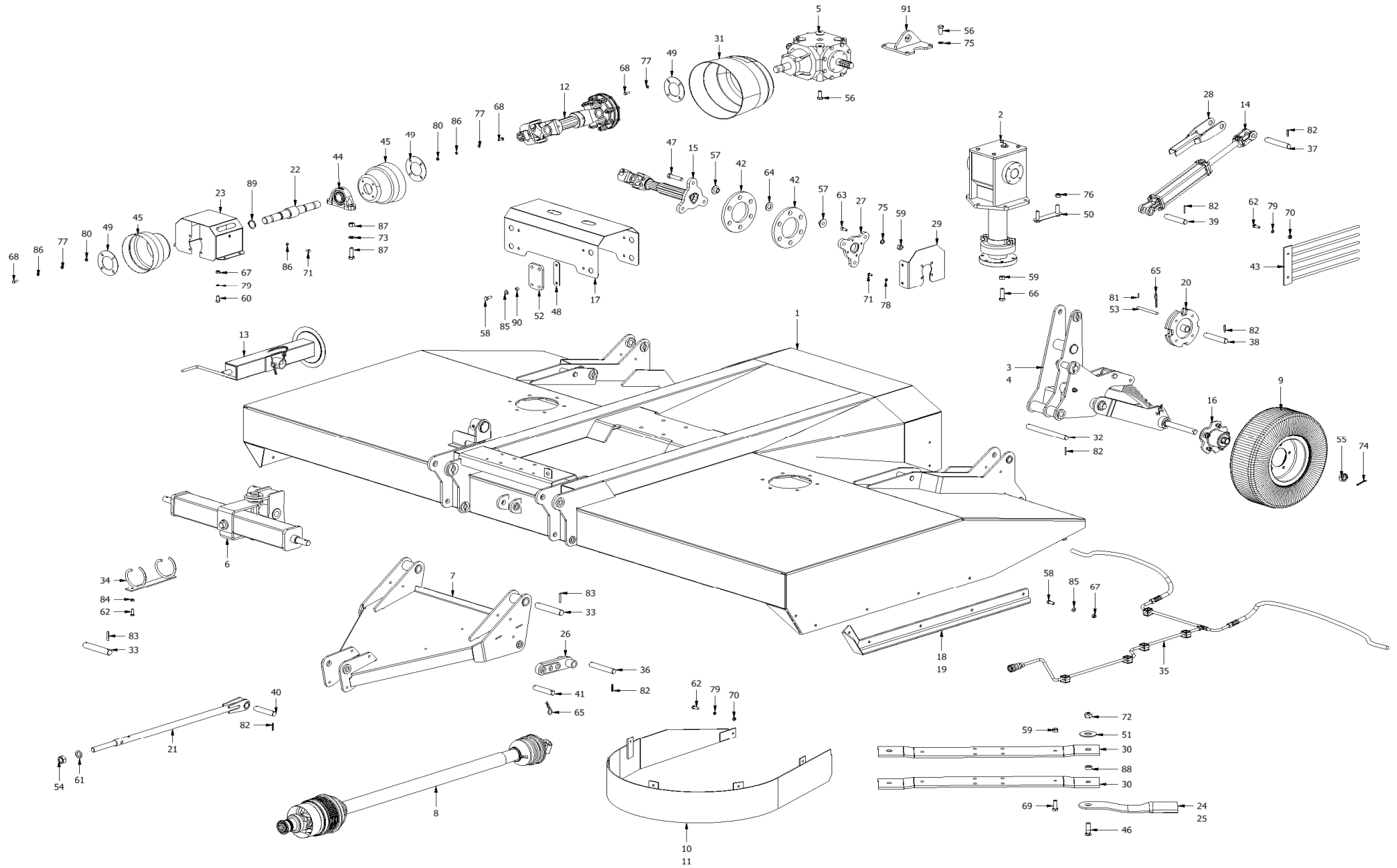


F60-350VT Haymaker  
A0099



**F60-350VT Haymaker  
A0099**

| Item | Part No.        | Description                        | Qty | Item | Part No. | Description                            | Qty |
|------|-----------------|------------------------------------|-----|------|----------|--|-----|
| 1    | H7700           | Hull Painted A0099                 | 1   | 41   | H5423    | Pin D25x125-107 Galv                   | 2   |
| 2    | H2630           | Gearbox F60XF 1:1.35 Falcon        | 2   | 42   | M5351    | Diaphragm M16-PCD165                   | 4   |
| 3    | H7702           | Wheel carrier assy Left            | 1   | 43   | H0869    | Fingers 80-350V                        | 2   |
| 4    | H7703           | Wheel carrier assy Right           | 1   | 44   | M3504    | Bearing UCP 208                        | 2   |
| 5    | T279A-927901600 | Gearbox Comer T279A 1:1.35         | 1   | 45   | M1141    | PTO counter cone Comer                 | 2   |
| 6    | H7701           | Hitch Linkage drawbar Cat2         | 1   | 46   | M51963   | Blade bolt 3/4UNCx2-1/2 CSK-10.9 Black | 4   |
| 7    | H5433           | Drawbar A0086                      | 1   | 47   | M41675   | Bolt M16x75 HT Galv                    | 12  |
| 8    | 78611210EN00204 | PTO CV T60 1210 Comer EN2049       | 1   | 48   | H5343    | Nut set M12-2 Galv                     | 8   |
| 9    | M3799           | Wheel Laminated 21x6.00-5          | 2   | 49   | M5579    | Plate 4-M8@PCD105 2.0 MS PLB0 Galv     | 3   |
| 10   | H7708           | Scroll Left A0099                  | 1   | 50   | H2614    | Ganged bolts M16Fx50 Galv              | 6   |
| 11   | H7709           | Scroll Right A0099                 | 1   | 51   | M83304   | Washer 33x44 (Spacer)                  | 4   |
| 12   | T600352S112F22  | Shaft Intermed Comer T60 0.352     | 1   | 52   | M5341    | Damper Rubber                          | 8   |
| 13   | H0710           | Parking jack 500mm Inc bush + pin  | 1   | 53   | H7718    | Pin D12x150-138 Galv                   | 2   |
| 14   | H7711           | Cylinder Hyd DB20010-106           | 2   | 54   | M32418   | Nut M24 Galv                           | 2   |
| 15   | H7710           | Shaft Intermed Comer               | 2   | 55   | M42525   | Nut 1.0in UNF Galv                     | 2   |
| 16   | H3800A          | Hub Assy 5-0.5in@D5.5in            | 2   | 56   | M41635   | Bolt M16x35 HT Galv                    | 8   |
| 17   | H7712           | Cover Intermed shaft 2.0 MS PLB4   | 2   | 57   | H5328    | Bush Stepped Galv                      | 24  |
| 18   | H7704           | Side protector Left                | 1   | 58   | M41230   | Bolt M12x30HT Galv                     | 42  |
| 19   | H7705           | Side protector Right               | 1   | 59   | M31612   | Nut M16 Galv                           | 24  |
| 20   | H7713           | Height adjuster Wheels Galv        | 2   | 60   | M41225   | Bolt M12x25 HT Galv                    | 4   |
| 21   | H5411           | Tie-rod M24x1070                   | 1   | 61   | M82402   | Washer M24 Galv                        | 1   |
| 22   | H0790           | Shaft Intermed T60 A0099           | 1   | 62   | M41030   | Bolt M10x30HT Galv                     | 18  |
| 23   | H7729           | Cover Bearings                     | 1   | 63   | M3945    | Cap Screw M10x25                       | 9   |
| 24   | H1460RH         | BLADE 8x90x(425)-32.5 CC           | 2   | 64   | M5350    | Washer 24.5x45x3.0 Galv                | 12  |
| 25   | H1460           | BLADE 8x90x(425)-32.5              | 2   | 65   | M5235    | R-clip 4mm                             | 4   |
| 26   | H7707           | Height adjuster Drawbar Galv       | 2   | 66   | M41655   | Bolt M16x55 HT Galv                    | 8   |
| 27   | H5347           | Profile 16.0 MS PLB0               | 2   | 67   | M61209   | Nut Nyloc M12 Galv                     | 14  |
| 28   | H7706           | Cylinder lock Galv                 | 2   | 68   | M40825   | Bolt M8x25HT Galv                      | 12  |
| 29   | H5339           | Bracket Galv                       | 4   | 69   | M41645   | Bolt M16x45 HT Galv                    | 4   |
| 30   | H1452           | Blade beam 10x130x(945)-20SQ       | 4   | 70   | M31007   | Nut M10 Galv                           | 16  |
| 31   | M5360           | PTO Counter-cone Comer 190.000.535 | 1   | 71   | M40815   | Bolt M8x16HT Galv                      | 10  |
| 32   | H7715           | Pin D25x261-243 Galv               | 2   | 72   | M61921   | Nut Nyloc 3/4"UNC CSK                  | 4   |
| 33   | H5422           | Pin D30x167-143 Galv               | 3   | 73   | M81602   | Washer Flat M16x40x2                   | 4   |
| 34   | H5580           | Guide Hyd pipes 2-D100 Galv        | 1   | 74   | M1416    | Split pin B5x60                        | 2   |
| 35   | M7780           | Kit Hydraulic Fixed A0099          | 1   | 75   | M91604   | Washer Spring M16 Galv                 | 16  |
| 36   | H7716           | Pin D25x157-139 Galv               | 2   | 76   | M61616F  | Nut Nyloc M16F Galv                    | 12  |
| 37   | H5418           | Pin D25x151-133 Galv               | 2   | 77   | M80803   | Washer Flat M8 Galv                    | 12  |
| 38   | H7790           | Pin D25x140-122 Galv               | 2   | 78   | M90813   | Washer Spring M8 Galv                  | 8   |
| 39   | H7714           | Pin D25x131.5-113.5 Galv           | 2   | 79   | M91002   | Washer Spring M10 Galv                 | 20  |
| 40   | H5425           | Pin D25x131-113 Galv               | 1   | 80   | M31008   | Nut M8 Galv                            | 8   |

**F60-350VT Haymaker  
A0099**

| Item | Part No. | Description                             | Qty | Item | Part No. | Description | Qty |
|------|----------|---|-----|------|----------|-------------|-----|
| 81   | M5243    | Roll pin 4x25                           | 2   |      |          |             |     |
| 82   | M5593    | Roll pin M6x40                          | 23  |      |          |             |     |
| 83   | M5594    | Roll pin M8x50                          | 6   |      |          |             |     |
| 84   | M61007   | Nut Nyloc M10 Galv                      | 2   |      |          |             |     |
| 85   | M81202   | Washer Flat M12 Galv                    | 42  |      |          |             |     |
| 86   | M90802   | Washer Spring M8                        | 10  |      |          |             |     |
| 87   | M11650   | Bolt & Nut M16 x 50 Galv                | 8   |      |          |             |     |
| 88   | H71914   | Bush 20x32x14 Hard                      | 4   |      |          |             |     |
| 89   | M3845A   | Circlip Outer 2x40mm                    | 2   |      |          |             |     |
| 90   | H5345    | Bush 12.5x15.8x11 Galv                  | 32  |      |          |             |     |
| 91   | H5307    | Lifting bracket Gearbox T279A           | 1   |      |          |             |     |
| 92   | M3187    | Decal ATTENTION If your tractor is .... | 1   |      |          |             |     |
| 93   | M3171    | Decal Baie Belangrik Alvorens U Die     | 1   |      |          |             |     |
| 94   | M3168    | Decal Bird FALCON Large                 | 1   |      |          |             |     |
| 95   | M3176    | Decal Bird Falcon Meduim                | 4   |      |          |             |     |
| 96   | M3172    | Decal DANGER STAY AWAY - ROTATING.....  | 2   |      |          |             |     |
| 97   | M3358    | Decal F60/350VT Trailed Haymaker        | 1   |      |          |             |     |
| 98   | M3174    | Decal IMPORTANT WHEN LOADING.....       | 2   |      |          |             |     |
| 99   | M3175    | Decal PROUD TO BE SOUTH AFRICAN         | 1   |      |          |             |     |
| 100  | M3170    | Decal VERY IMPORTANT BEFORE USING.....  | 1   |      |          |             |     |
| 101  | M3116    | Decal WARRANTY 2+2 WAARBORG.....        | 1   |      |          |             |     |