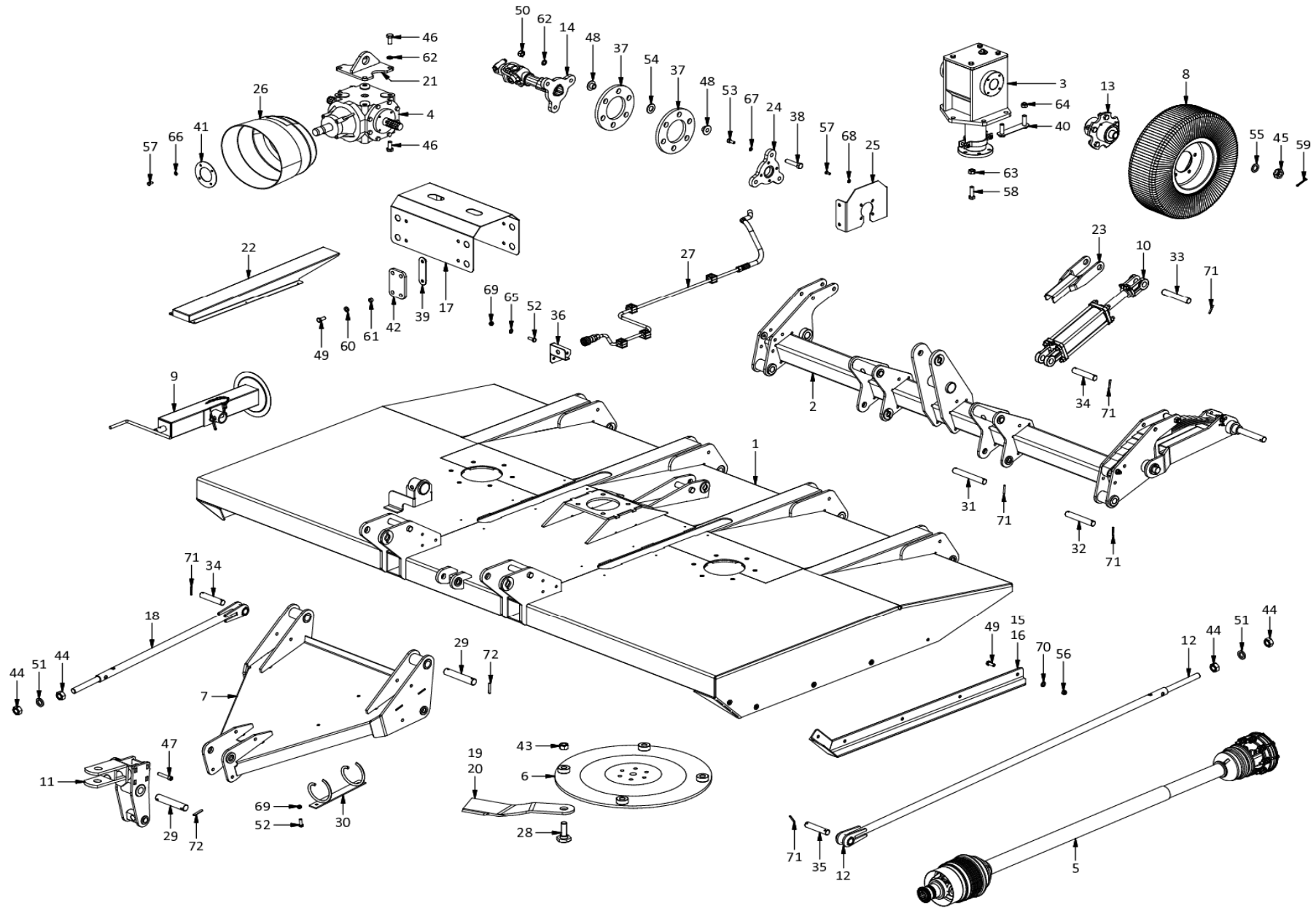


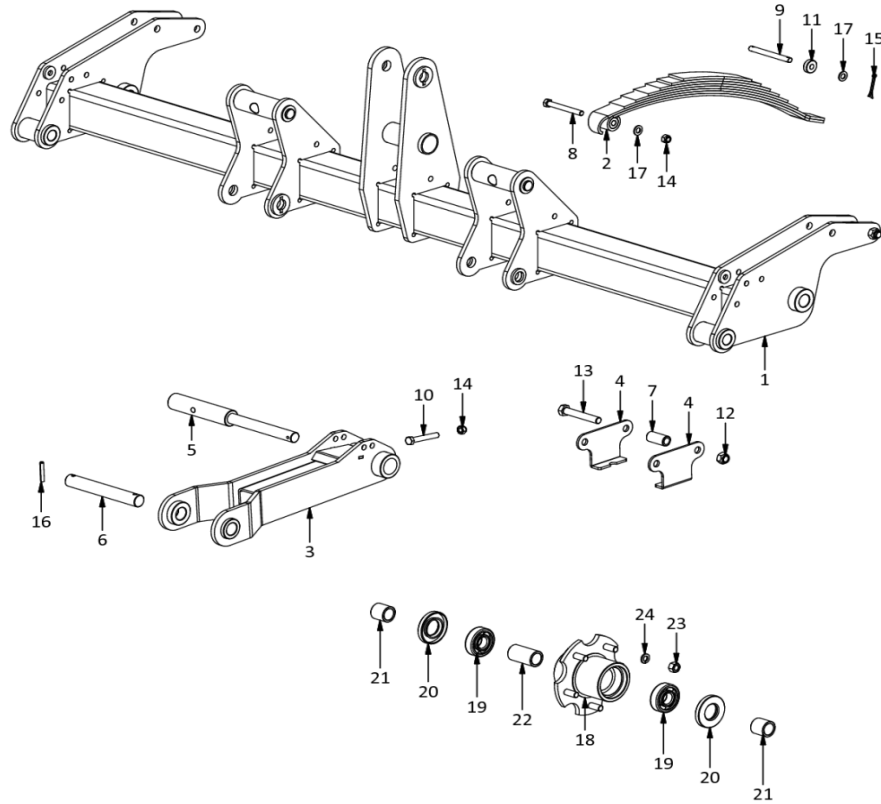
F60-300T Slasher
A0096



**F60-300T Slasher
A0096**

Item	Part No.	Description	Qty	Item	Part No.	Description	Qty
1	H5950	Deck Painted 3000	1	41	M5364	Backing plate M8-D95	1
2	H5951	Wheel carrier assy Exc wheels	1	42	M5341	Damper rubber	8
3	H2620	Gearbox F60VF	2	43	M62222	Nut Nyloc M22	4
4	T279A-927901600	Gearbox T279A	1	44	M32418	Nut M24	6
5	T601410ENC02F42	PTO shaft CV T60 1410 F42	1	45	M42525	Nut 1.0UNF	2
6	H5321	Disk 4-M22 D595.25	2	46	M41635	Bolt M16x35HT	8
7	H5433	Drawbar	1	47	M51265	Capscrew M12x65	1
8	M3799	Wheel Laminated 21x6.00-5	2	48	H5328	Bush Stepped 17x45x19.5	24
9	H0710	Parking jack 500mm	1	49	M41230	Bolt M12x30HT	42
10	M5953	Cylinder Hyd DB30008-125	1	50	M31612	Nut M16	12
11	H5410	Towing hitch Complete Swivel-type	1	51	M82402	Washer M24	3
12	H5952	Tie-rod M24x2123	2	52	M41030	Bolt M10x30HT	5
13	H3800A	Hub Assy 5-0.5in@D5.5in	2	53	M3945	Cap screw M10x25	8
14	H5346	Shaft Intermed	2	54	M5350	Washer 24.5x45x3	12
15	H5907	Side protector Left	1	55	M82503	Washer Flat 1.0in	2
16	H5908	Side protector Right	1	56	M61209	Nut Nyloc M12	10
17	M5905	Cover Intermed shaft	2	57	M40815	Bolt M8x16HT	20
18	H5411	Tie-rod M24x1070	1	58	M41450	BoltM14x50HT	12
19	H1822	Blade Banana 10x90x(510)-32.5	2	59	M1416	Split pin B5x60	2
20	H1821	Blade Banana 10x90x(510)-32.5 RH	2	60	M5342	Washer 13x24x3.0	32
21	H5307	Lifting bracket	1	61	H5345	Bush 12.5x15.8x11	32
22	M5979	Cover Tie-rod	2	62	M91604	Washer Spring M16	20
23	H5955	Cylinder lock	1	63	M31410	Nut M14	12
24	H5347	Profile	2	64	M61616F	Nut Nyloc M16F	12
25	H5906	Bracket	4	65	M81002	Washer Flat M10	3
26	M5360	PTO counter cone	1	66	M80803	Washer Flat M8	4
27	M5980	Kit Hydraulic Fixed	1	67	M91002	Washer Spring M10	8
28	M52275	Blade bolt M22-10.9 Special	4	68	M90813	Washer Spring M8	16
29	H5422	Pin D30x167-143	3	69	M61007	Nut Nyloc M10	5
30	H5580	Guide Hyd pipes	1	70	M81202	Washer Flat M12	10
31	H5414	Pin D25x181-163	2	71	M5593	Roll pin M6x40	18
32	H5415	Pin D25x157-139	2	72	M5594	Roll pin M8x50	6
33	H5418	Pin D25x151-133	1				
34	H5417	Pin D25x127-109	2				
35	H5423	Pin D25x125-107	2				
36	M5981	Bracket Hyd manifold	1				
37	M5351	Diaphram M16-PCD165	4				
38	M41675	Bolt M16x75HT	12				
39	H5343	Nut set M12-2	8				
40	H2614	Ganged bolts M16Fx50	6				

**A0096 Wheel carrier Exc wheels
H5951 & H3800A**



Item	Part No.	Description	Qty
1	H5954	Wheel carrier beam	1
2	M5557	Spring Leaf 8xL	2
3	H5437	Wheel swingarm	2
4	M5516	Retainer Leaf spring 8L	4
5	H5441	Axle Special Single	2
6	H5442	Pin D30x211-187	2
7	H5438	Bush 16.5x25x50	4
8	M412100	Bolt M12x100HT	2
9	H5439	Pin 12x120-106	2
10	M41280	Bolt M12x80HT	2
11	H5424	Bush 12.5x32x10	4
12	M61616	Nut Nyloc M16	4
13	M416100	Bolt M16x100HT	4
14	M61209	Nut Nyloc M12	4
15	M1416	Split pin B5x60	4
16	M5594	Roll pin M8x50	4
17	M81202	Washer Flat M12	5
18	H3887	Hub Fabricated	1
19	M3877	Bearing deep groove RMS-8	2
20	M3876	Seal 35x72x10	2
21	H3878	Bush 26x35x33	2
22	H3879	Bush 26x35x62	1
23	M31310	Nut 1/2UNF	5
24	M91213	Washer Spring M12	5

**Gearbox F60VF
H2620**

	Item	Part No.	Description	Qty
	1	H2632	Housing Extended F60V	1
	2	H2612	Shaft Output Extended	1
	3	H2631	Shaft Input F60VF/VX	1
	4	H2609	Gear Bevel Z27/z10	1
	5	H2608	Gear Bevel Z20/z6	1
	6	H1323	Dust cover	1
	7	M2624	Cover	1
	8	M1333	Bearing Tapered roller 32009	2
	9	M1371	Bearing Deep groove 6205	1
	10	H1378	Retainer Domed	1
	11	H2633	Washer 35x52x5	1
	12	M41045	Bolt M10x45HT	2
	13	M41025	Bolt M10x25HT	4
	14	M1332	Bearing Tapered roller 32008	1
	15	M1326	Seal Felt	1
	16	M1334	Plug + Dipstick	1
	17	M1375	Circlip Internal INT0750	1
	18	M1374	Circlip Internal INT0680	1
	19	M31007	Nut M10	2
	20	M1319	Nut Slotted 1 UNF	1
	21	M1369	Plug Welsh type 52x10	1
	22	M1343	Washer 40x26x2	1
	23	M1361	Seal Radial lip 68x40x8	1
	24	M2617	Gasket F60	1
	25	M2634	Locking nut KM7	1
	26	M1416	Split pin B5x60	1
	27	M1366	Seal Radial lip 75x55x8	2
	28	M1372	Circlip Internal INT0520	1
	29	M1365	Load washer Wave type EPL50	1
	30	M1364	Load washer Wave type EPL44	1
	31	M2635	MB(L) locking washers-Bearing accessories	1
	32	M1368	Seal protector	1
	33	M3231	Gear oil Renolin CLP1000	A/R

A/R = As required