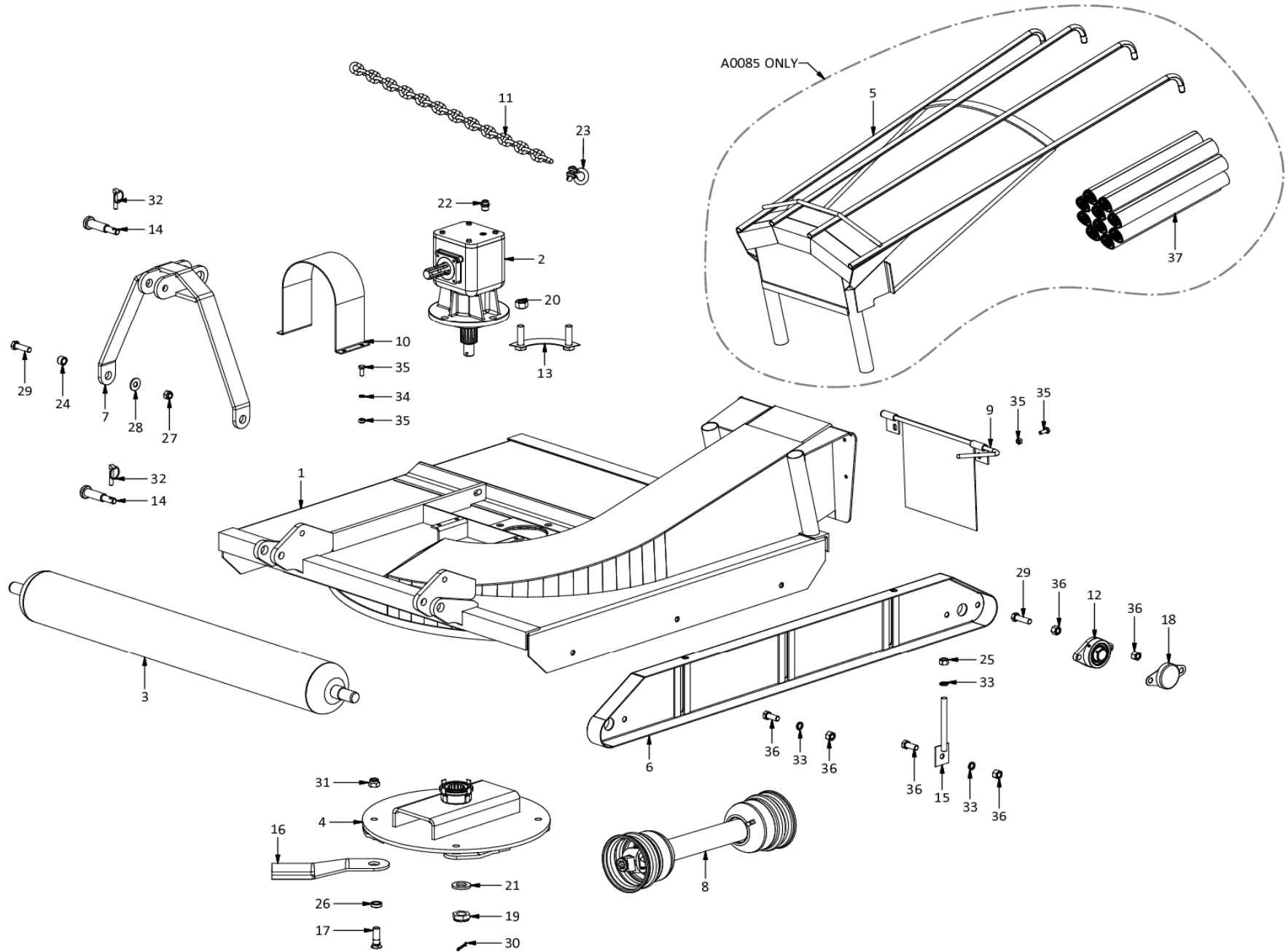


F40-120BM Blowermower (with & without grass bag frame)
A0085 & A0089



**F40-120BM Blowermower (with & without grass bag frame)
A0085 & A0089**

Item	Part No.	Description	Qty	Item	Part No.	Description	Qty
1	H0561	Deck Painted 1200	1	41	M3176	Decal Bird Falcon Meduim	2
2	M1203	Gearbox F40	1	42	M3178	Decal Blade/Lem	1
3	H0304	Roller 1200 D165.0	2	43	M3172	Decal DANGER STAY AWAY - ROTATING.....	1
4	H1282	Disc 4-3/4in PCD490	1	44	M3243	Decal F40-120BM Blowermower	1
5	H0840	F150 B/Mower Bag Ret Frame	1	45	M3174	Decal IMPORTANT WHEN LOADING.....	1
6	H0403	Side panel	2	46	M3173	Decal Lifting hook	1
7	H0601	Top mast Cat1/2	1	47	M3175	Decal PROUD TO BE SOUTH AFRICAN	1
8	T400810CE112112	PTO shaft T40 810	1	48	M3170	Decal VERY IMPORTANT BEFORE USING.....	1
9	H0848	120 BM Chute Flap	1	49	M3003	Serial plate	1
10	H0700	PTO guard	1				
11	R0609	Chain GR5 9.0	1				
12	M0461	Bearing UCFL207	4				
13	H1206	Ganged bolts 3/4UNFx2-1/2	2				
14	H0633	Pin Top link Cat2/1	3				
15	H0440	Height adjuster	4				
16	H1354	Blade 8x90x(355)-32.5	4				
17	M51963	Blade bolt 3/4UNCx2-1/2HT CSK	4				
18	M0465	Dust cover UCFL207	4				
19	0.140.7102.00	Nut Slotted M30x2	1				
20	M61919	Nut Nyloc 3/4UNF	4				
21	0.139.7101.00	Washer 31x56x6	1				
22	LF14086700269	Plug Breather 1/2BSP	1				
23	M0622	Shackle 7/16in 1.5T	2				
24	H71613	Bush 16x25x13	2				
25	M31612	Nut M16	4				
26	H71911	Bush Hard 19x32x11	4				
27	M61616	Nut Nyloc M16	2				
28	M81603	Washer M16x40x3	2				
29	M41655	Bolt M16x55HT	10				
30	M1416	Split pin B5x60	1				
31	M61920	Nut Nyloc 3/4UNC	4				
32	FLP11	Lynchpin 11mm	3				
33	M91604	Washer Spring M16	10				
34	M91002	Washer Spring M10	4				
35	M11025	Bolt+nut M10x25HT	12				
36	M11640	Bolt+nut M16x40HT	28				
37	H0847	Grass bag set 40% Light duty	1				
38	M3187	Decal ATTENTION If your tractor is	1				
39	M3171	Decal Baie Belangrik Alvorens U Die	1				
40	M3168	Decal Bird FALCON Large	1				