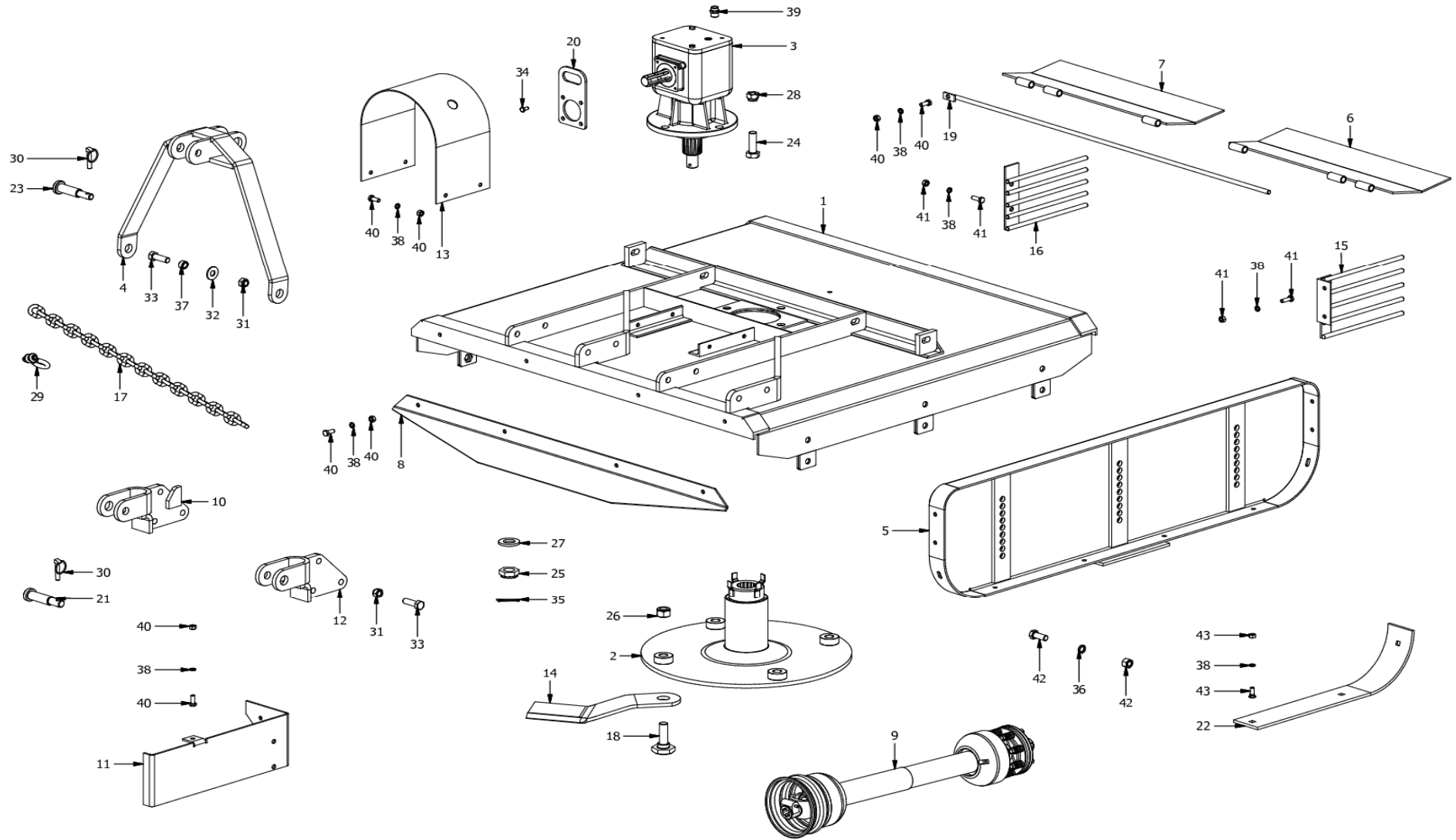


F40-120V Haymaker
A0049



**F40-120V Haymaker
A0049**

Item	Part No.	Description	Qty	Item	Part No.	Description	Qty
1	H0558	Deck Painted 1200	1	41	M11030	Bolt+nut M10x25HT	12
2	H1275	Disk 40/120V	1	42	M11640	Bolt+nut M16x40HT	24
3	M1203	Gearbox F40	1	43	M21030	Plough bolt+nut M10x30HT	24
4	H0601	Top mast Cat1/2	1	44	M3187	DecalATTENTION If your tractor is	1
5	H0490	Side Panel 40/120V	2	45	M3171	Decal Baie Belangrik Alvorens U Die	1
6	H0209	Flap Rear Left 1200	1	46	M3168	Decal Bird FALCON Large	1
7	H0210	Flap Rear Right 1200	1	47	M3176	Decal Bird Falcon Meduim	2
8	H0252	Skirt1200	1	48	M3178	Decal Blade/Lem	1
9	T400760CE112F12	PTO shaft T40 760 112 F12	1	49	M3172	Decal DANGER STAY AWAY - ROTATING.....	1
10	H0655	Clevis Right +stop	1	50	M3157	Decal F40/120V Haymaker	1
11	H0412	Deflector plate	1	51	M3174	Decal IMPORTANT WHEN LOADING.....	1
12	H0654	Clevis Left	1	52	M3173	Decal Lifting hook	1
13	H0702	PTO guard	1	53	M3175	Decal PROUD TO BE SOUTH AFRICAN	1
14	H1812_new	BLADE BANANA 10x90x(375)-32.5	4	54	M3170	Decal VERY IMPORTANT BEFORE USING.....	1
15	H0820	Fingers Left	1	55	M3116	Decal WARRANTY 2+2 WAARBORG.....	1
16	H0868	Fingers	1	56	M3003	Serial plate	1
17	R0609	Chain GR5 9.0	1				
18	M52275	Blade bolt M22-10.9 Special	4				
19	H0101	Pin Hinge 1200	1				
20	M0626	Lifting bracket	1				
21	H0645	Pin Btm link Cat2/1	2				
22	H0430	Skid runner 8x90	4				
23	H0633	Pin Top link Cat2/1	1				
24	M41963	Bolt 3/4UNFx2.5	4				
25	0.140.7102.00	Nut Slotted M30x2	1				
26	M62222	Nut Nyloc M22	4				
27	0.139.7101.00	Washer 31x56x6	1				
28	M61919	Nut Nyloc 3/4UNF	4				
29	M0622	Shackle 7/16in 1.5T	2				
30	FLP11	Lynchpin 11mm	3				
31	M61616	Nut Nyloc M16	6				
32	M81603	Washer M16x40x3	2				
33	M41650	BoltM16x50HT	6				
34	M40815	Bolt M8x16HT	4				
35	M1416	Split pin B5x60	1				
36	M91604	Washer Spring M16	12				
37	H71613	Bush 16x25x13	2				
38	M91002	Washer Spring M10	28				
39	LF14086700269	Plug Breather 1/2BSP	1				
40	M11025	Bolt+nut M10x25HT	20				