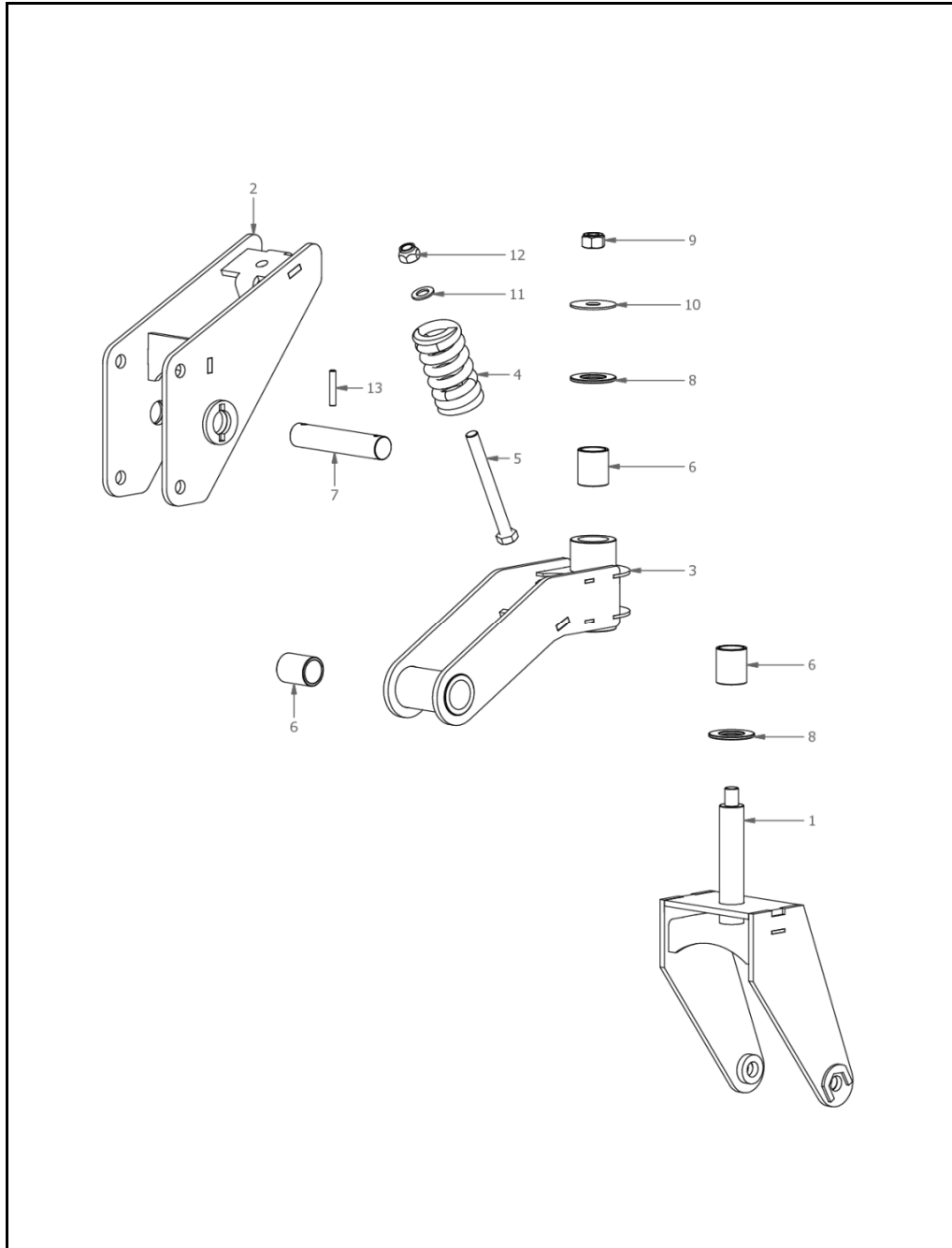




**F80-350V Haymaker  
A0046**

Item	Part No.	Description	Qty	Item	Part No.	Description	Qty
1	H0544A	Deck Painted 3500	1	41	M31612	Nut M16	12
2	H1401A	Gearbox F80V	2	42	M61616	Nut Nyloc M16	3
3	T279A/927902300	Gearbox T279A	1	43	M3721	Washer 23x45x3	8
4	H0455	Skid Plate	2	44	M5201	Washer 26x32x3	2
5	H0605	Top mast Cat1/2	1	45	M41655	Bolt M16x55HT	8
6	M3799	Wheel Laminated 21x6.00-5	2	46	M41645	Bolt M16x45HT	4
7	H0812	Scroll Left	1	47	M61921	Nut Nyloc 3/4UNC CSK	4
8	H0813	Scroll Right	1	48	N20200201	Nut Nyloc M20	2
9	H0745A	Wheel Assembly	2	49	M91604	Washer Spring M16	20
10	H0707	PTO guard	2	50	M91213	Washer Spring M12	24
11	H0606	Top Link	1	51	LF1786700161	Plug Breather 1/4BSP	1
12	H3800A	Hub Assy 5-0.5in@D5.5in	2	52	M91002	Washer Spring M10	16
13	M2101	PTO 1 3/4" 1.25m B6 FF2 (3.5m)	1	53	M61007	Nut Nyloc M10	2
14	H0702	PTO guard	1	54	M11025	Bolt+nut M10x25HT	8
15	R0612-0002	Chain GR5 10mm 2t	1	55	M11230	Bolt+nut M12x30	48
16	H1460 / H1460RH	Blade 8x90x(425)-32.5	2 / 2	56	M11640	Bolt+nut M16x40HT	32
17	H3745	Bracket Wheel Adjustment	2	57	M21030	Plough bolt+nut M10x30HT	24
18	H1452	Blade beam 10x130 PCD945	4	58	M3187	Decal ATTENTION If your tractor is ....	1
19	M2102	PTO Connecting Shaft 3.5m	2	59	M3171	Decal Baie Belangrik Alvorens U Die	1
20	M419250	Bolt 1"x10"UNF Galv HT	2	60	M3168	Decal Bird FALCON Large	1
21	H1448	Ganged bolts 3/4UNFx2-1/2	4	61	M3176	Decal Bird Falcon Meduim	4
22	M422180	Bolt M22x180HT	4	62	M3172	Decal DANGER STAY AWAY - ROTATING.....	2
23	H0422	Skid runner	4	63	M3167	Decal F80/350V Haymaker	1
24	H0643	Pin Btm link Cat2	1	64	M3174	Decal IMPORTANT WHEN LOADING.....	2
25	H0632	Pin Top link Cat2	1	65	M3175	Decal PROUD TO BE SOUTH AFRICAN	1
26	M1120120	Bolt M20x200	2	66	M3170	Decal VERY IMPORTANT BEFORE USING.....	1
27	H0869	Fingers	2	67	M3116	Decal WARRANTY 2+2 WAARBORG.....	1
28	M51963	Blade bolt 3/4UNCx2-1/2 CSK HT	4	68	M3003	Serial plate	1
29	M32515	Nut 1.0UNF	2				
30	M41665	Bolt M16x65HT	1				
31	M83304	Washer 33x80x4	4				
32	M11655	Bolt M16 x 55	2				
33	M62222	Nut Nyloc M22	4				
34	M3636	Chain Attachment plate Front	4				
35	M41635	Bolt M16x35HT	4				
36	M61919	Nut Nyloc 3/4UNF	8				
37	M0625	Shackle 5/8in 2t	8				
38	FLP11	Lynchpin 11mm	4				
39	H71914	Bush 20x32x14	4				
40	M11060	Bolt M10.0x60.0	2				

**Wheel Assembly Complete F80-350V  
H0745A**



Item	Part No.	Description	Qty
1	H3784	Wheel fork complete	1
2	H3773	Mounting complete	1
3	H3778	Swingarm complete	1
4	M3792	Spring 16x80x150-7AC	1
5	M420200	Bolt M20x200	1
6	H3872	Bush 40.3x50x60	4
7	H3791	Pin Swingarm pivot 189mm	1
8	H3793	Washer-70x40x5-Vesconite	2
9	M62222	Nut Nyloc M22	1
10	M3794	Washer-70x22x5	1
11	M82001	Washer Flat M20	1
12	N20200201	Nut Nyloc M20	1
13	M3789	Sellock Pin D10x60	2

A/R = As required

**Gearbox F80V  
H1401A**

Item	Part No.	Description	Qty
1	M1413	Bearing 390	1
2	M1412	Bearing 394A	1
3	H1414	Gear Bevel Z28/z6	1
4	H82802	Washer 29x50x4	1
5	M1415	Nut Slotted 1-1/8in	1
6	M41225	Bolt M12x25HT	12
7	M81201	Washer Star M12	8
8	H1410	Input cover F80	1
9	M1434	Shim Input 0.1 Plastic	A/R
10	M1411	Gasket Input F80	1
11	H1409	Shaft Input 1-3/8 Z6	1
12	M1408	Bearing LM29710	1
13	M1407	Bearing LM29749	1
14	M1404	Seal Lip 187275	1
15	M1406	O-ring 34.5x3.5	1
16	H1405	Seal Lip	1
17	M1403	Washer Tabbed KM06	1
18	H1402	Locknut M36x2.0	1
19	M1439	Plug + Dipstick	1
20	H1420A	Cover Gearbox F80	1
21	M1421A	Gasket Top F80	1
22	H1418A	Housing F80V	1
23	H1428	Dust cover	1
24	M41045	Bolt M10x45HT	2
25	M31007	Nut M10	2
26	M1422	Nut Slotted 1-1/4in	1
27	M1446	Washer Hard 32x50x2	1
28	H1423	Gear Beval Z15/z10	1
29	M1441	Shim 38x60x0.5	A/R
30	M1440	Shim 38x60x0.25	A/R
31	M1442	Shim 38x60x1.0	A/R
32	M1424	Bearing 3577	1
33	M1425	Bearing 3525	1
34	H1429	Retainer Domed	1
35	M1430	Bearing 28920	1
36	M1431	Bearing 28985	1
37	M1432	Seal Lip 300400	2
38	M1433	Seal Felt 75x100x12	1
39	H1427	Shaft Output F80V	1
40	M1416	Split pin B5x60	2