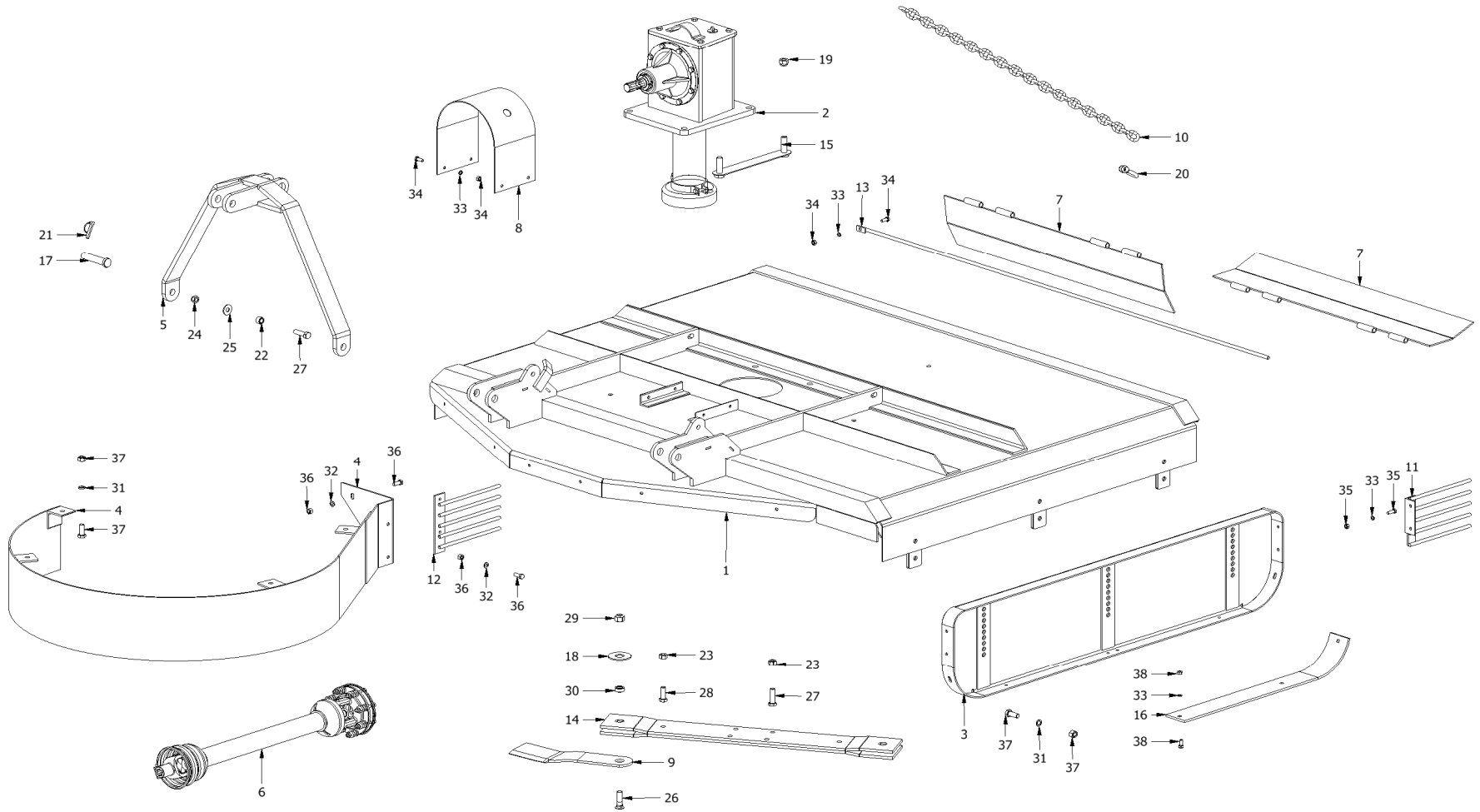


F80-180EV Haymaker
A0036



F80-180EV Haymaker

A0036

Item	Part No.	Description	Qty	Item	Part No.	Description	Qty
1	H0541A	Deck Painted 1800	1	41	M3172	Decal DANGER STAY AWAY - ROTATING.....	1
2	H1401A	Complete F80V	1	42	M3003	Serial plate	1
3	H0406	Side Panel	2	43	M3090	Decal Important - Remove Flap	1
4	H0804	Scroll	1	44	M3151	Decal F80/180EV Haymaker	1
5	H0602	Top mast Cat1/2	1	45	M3170	Decal VERY IMPORTANT BEFORE USING.....	1
6	T600960CE112F22	PTO shaft T60 960 112 F22	1	46	M3171	Decal Baie Belangrik Alvorens U Die	1
7	H0208	Back Flap 80/180 EV L&R	2	47	M3173	Decal Lifting hook	1
8	H0702	PTO guard	1	48	M3174	Decal IMPORTANT WHEN LOADING.....	1
9	H1806	BLADE BANANA 8x90x(410)-32.5	2	49	M3175	Decal PROUD TO BE SOUTH AFRICAN	1
10	R0611	Chain Gr5 10mm 2T	2	50	M3187	Decal ATTENTION If your tractor is	1
11	H0820	Fingers-Left	1	51	M3178	Decal Blade/Lem	1
12	H0821	Fingers-Right	1	52	M3117	Decal WARRANTY 2+3 WAARBORG.....	1
13	H0104	Back Flap Rod 180EV	1				
14	H1452	Blade beam 10x130x(945)-20SQ	2				
15	H1448	Ganged bolts 3/4UNFx2-1/2 Galv	2				
16	H0422	Skid Runner 8x90x86.5	4				
17	H0632	Pin Top link Cat2	1				
18	M83304	Washer 33x44	2				
19	M61919	Nut Nyloc 3/4UNF	4				
20	M0622	Shackle 7/16in 1.5T	4				
21	FLP11	Lynchpin 11mm	3				
22	H71617	Bush 16x25x17	2				
23	M31612	Nut M16	6				
24	M61616	Nut Nyloc M16	2				
25	M81603	Washer M16x40x3	2				
26	M51963	Blade bolt 3/4UNCx2-1/2 CSK-10.9	2				
27	M41655	Bolt M16x55 HT	6				
28	M41645	Bolt M16x45 HT	2				
29	M61921	Nut Nyloc 3/4"UNC CSK	2				
30	H71914	Bush 32x19.5x14	2				
31	M91604	Washer Spring M16	16				
32	M91213	Washer Spring M12	4				
33	M91002	Washer Spring M10	19				
34	M11025	Bolt + Nut M10x25 HT	10				
35	M11030	Bolt + Nut M10x30 HT	4				
36	M11230	Bolt M12x30 + Nut	8				
37	M11640	Bolt + Nut M16x40 HT	32				
38	M21030	Plough bolt+nut M10x30HT	24				
39	M3176	Decal Bird Falcon Meduim	2				
40	M3168	Decal Bird FALCON Large	1				

**Gearbox F80V
H1401A**

Item	Part No.	Description	Qty
1	M1413	Bearing 390	1
2	M1412	Bearing 394A	1
3	H1414	Gear Bevel Z28/z6	1
4	H82802	Washer 29x50x4	1
5	M1415	Nut Slotted 1-1/8in	1
6	M41225	Bolt M12x25HT	12
7	M81201	Washer Star M12	8
8	H1410	Input cover F80	1
9	M1434	Shim Input 0.1 Plastic	A/R
10	M1411	Gasket Input F80	1
11	H1409	Shaft Input 1-3/8 Z6	1
12	M1408	Bearing LM29710	1
13	M1407	Bearing LM29749	1
14	M1404	Seal Lip 187275	1
15	M1406	O-ring 34.5x3.5	1
16	H1405	Seal Lip	1
17	M1403	Washer Tabbed KM06	1
18	H1402	Locknut M36x2.0	1
19	M1439	Plug + Dipstick	1
20	H1420A	Cover Gearbox F80	1
21	M1421A	Gasket Top F80	1
22	H1418A	Housing F80V	1
23	H1428	Dust cover	1
24	M41045	Bolt M10x45HT	2
25	M31007	Nut M10	2
26	M1422	Nut Slotted 1-1/4in	1
27	M1446	Washer Hard 32x50x2	1
28	H1423	Gear Beval Z15/z10	1
29	M1441	Shim 38x60x0.5	A/R
30	M1440	Shim 38x60x0.25	A/R
31	M1442	Shim 38x60x1.0	A/R
32	M1424	Bearing 3577	1
33	M1425	Bearing 3525	1
34	H1429	Retainer Domed	1
35	M1430	Bearing 28920	1
36	M1431	Bearing 28985	1
37	M1432	Seal Lip 300400	2
38	M1433	Seal Felt 75x100x12	1
39	H1427	Shaft Output F80V	1
40	M1416	Split pin B5x60	2

