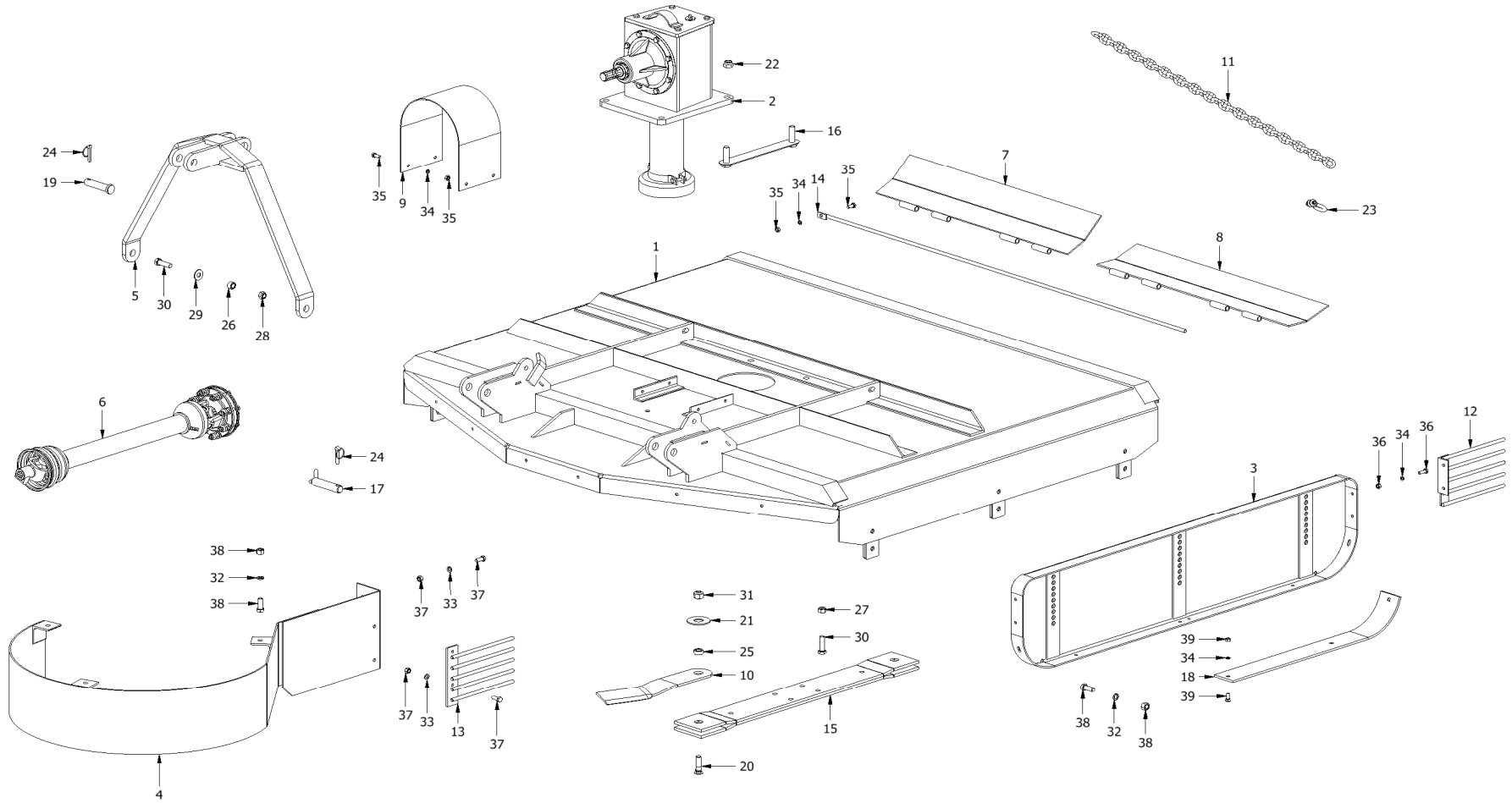


F80-180V Haymaker
A0035



F80-180V Haymaker

A0035

Item	Part No.	Description	Qty	Item	Part No.	Description	Qty
1	H0533A	Deck Painted 1800	1	41	M3171	Decal Baie Belangrik Alvorens U Die	1
2	H1401A	Gearbox F80V	1	42	M3168	Decal Bird FALCON Large	1
3	H0406	Side Panel	2	43	M3176	Decal Bird Falcon Meduim	2
4	H0802	Scroll	1	44	M3178	Decal Blade/Lem	1
5	H0602	Top mast Cat2	1	45	M3172	Decal DANGER STAY AWAY - ROTATING.....	1
6	T600960CE112F22	PTO shaft T60 960 112 F22	1	46	M3150	Decal F80/180V Haymaker	1
7	H0207	Flap Rear 1800	1	47	M3090	Decal Important - Remove Flap	1
8	H0206	Flap Rear 1800	1	48	M3174	Decal IMPORTANT WHEN LOADING.....	1
9	H0702	PTO guard	1	49	M3173	Decal Lifting hook	1
10	H1806	Blade Banana 8x90x(410)-32.5	2	50	M3175	Decal PROUD TO BE SOUTH AFRICAN	1
11	R0611	Chain GR5 10.0	1	51	M3170	Decal VERY IMPORTANT BEFORE USING.....	1
12	H0820	Fingers Left	1	52	M3117	Decal WARRANTY 2+3 WAARBORG.....	1
13	H0821	Fingers Right	1	53	M3003	Serial plate	1
14	H0103	Pin Hinge 1800	1				
15	H1452	Blade beam 10x130 PCD945	2				
16	H1448	Ganged bolts 3/4UNFx2-1/2	2				
17	H7115	Pin Btm link Cat2 125mm	2				
18	H0422	Skid runner	4				
19	H0632	Pin Top link Cat2	1				
20	M51963	Blade bolt 3/4UNCx2-1/2 CSK HT	2				
21	M83304	Washer 33x80x4	2				
22	M61919	Nut Nyloc 3/4UNF	4				
23	M0622	Shackle 7/16in 1.5T	4				
24	FLP11	Lynchpin 11mm	3				
25	H71914	Bush 20x32x14	2				
26	H71617	Bush 16.5x25x17	2				
27	M31612	Nut M16	6				
28	M61616	Nut Nyloc M16	2				
29	M81603	Washer M16x40x3	2				
30	M41655	Bolt M16x55HT	6				
31	M61921	Nut Nyloc 3/4UNC CSK	2				
32	M91604	Washer Spring M16	17				
33	M91213	Washer Spring M12	3				
34	M91002	Washer Spring M10	19				
35	M11025	Bolt+nut M10x25HT	10				
36	M11030	Bolt+nut M10x25HT	4				
37	M11230	Bolt+nut M12x30	6				
38	M11640	Bolt+nut M16x40HT	30				
39	M21030	Plough bolt+nut M10x30HT	24				
40	M3187	Decal ATTENTION If your tractor is	1				

**Gearbox F80V
H1401A**

Item	Part No.	Description	Qty
1	M1413	Bearing 390	1
2	M1412	Bearing 394A	1
3	H1414	Gear Bevel Z28/z6	1
4	H82802	Washer 29x50x4	1
5	M1415	Nut Slotted 1-1/8in	1
6	M41225	Bolt M12x25HT	12
7	M81201	Washer Star M12	8
8	H1410	Input cover F80	1
9	M1434	Shim Input 0.1 Plastic	A/R
10	M1411	Gasket Input F80	1
11	H1409	Shaft Input 1-3/8 Z6	1
12	M1408	Bearing LM29710	1
13	M1407	Bearing LM29749	1
14	M1404	Seal Lip 187275	1
15	M1406	O-ring 34.5x3.5	1
16	H1405	Seal Lip	1
17	M1403	Washer Tabbed KM06	1
18	H1402	Locknut M36x2.0	1
19	M1439	Plug + Dipstick	1
20	H1420A	Cover Gearbox F80	1
21	M1421A	Gasket Top F80	1
22	H1418A	Housing F80V	1
23	H1428	Dust cover	1
24	M41045	Bolt M10x45HT	2
25	M31007	Nut M10	2
26	M1422	Nut Slotted 1-1/4in	1
27	M1446	Washer Hard 32x50x2	1
28	H1423	Gear Beval Z15/z10	1
29	M1441	Shim 38x60x0.5	A/R
30	M1440	Shim 38x60x0.25	A/R
31	M1442	Shim 38x60x1.0	A/R
32	M1424	Bearing 3577	1
33	M1425	Bearing 3525	1
34	H1429	Retainer Domed	1
35	M1430	Bearing 28920	1
36	M1431	Bearing 28985	1
37	M1432	Seal Lip 300400	2
38	M1433	Seal Felt 75x100x12	1
39	H1427	Shaft Output F80V	1
40	M1416	Split pin B5x60	2