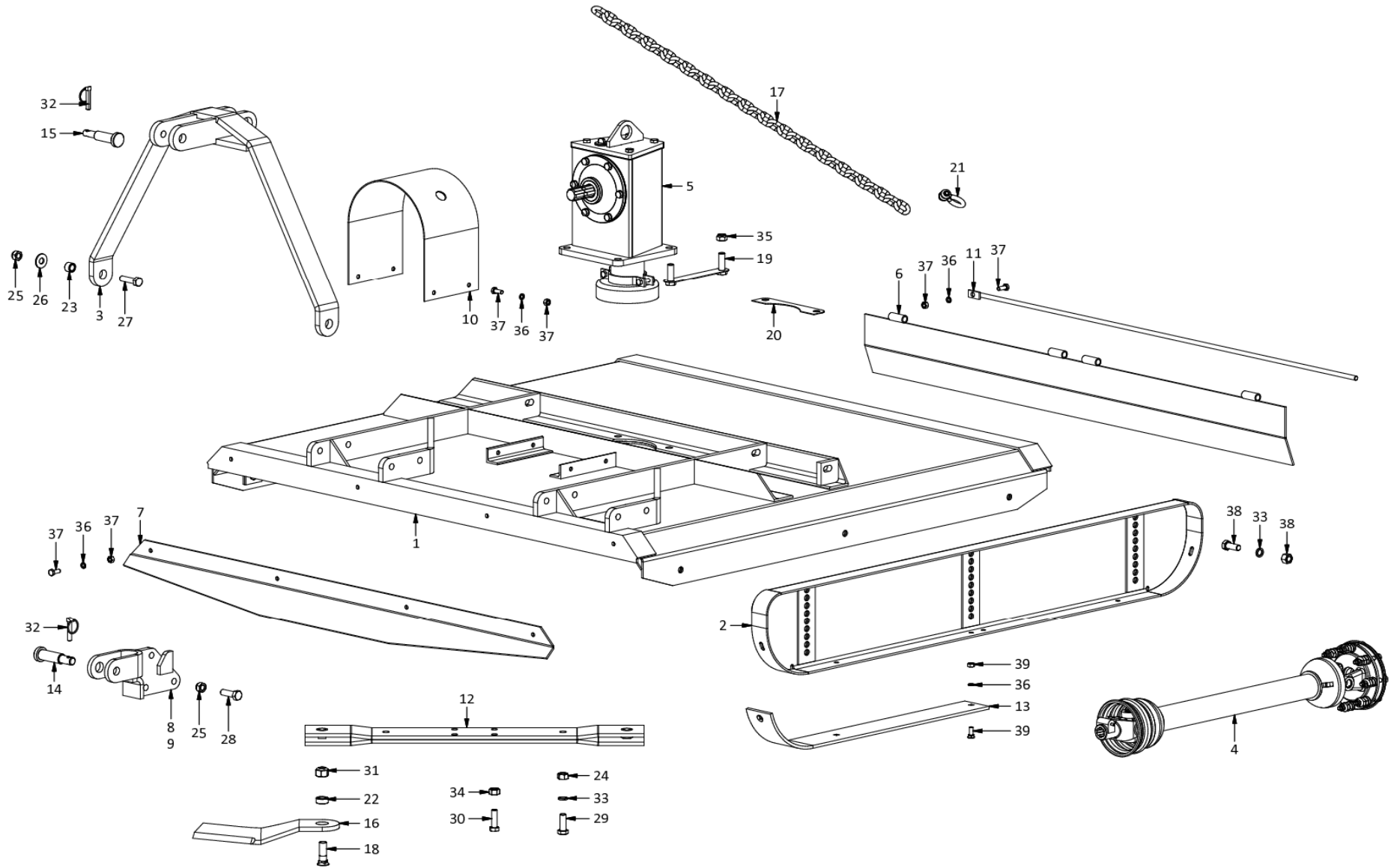


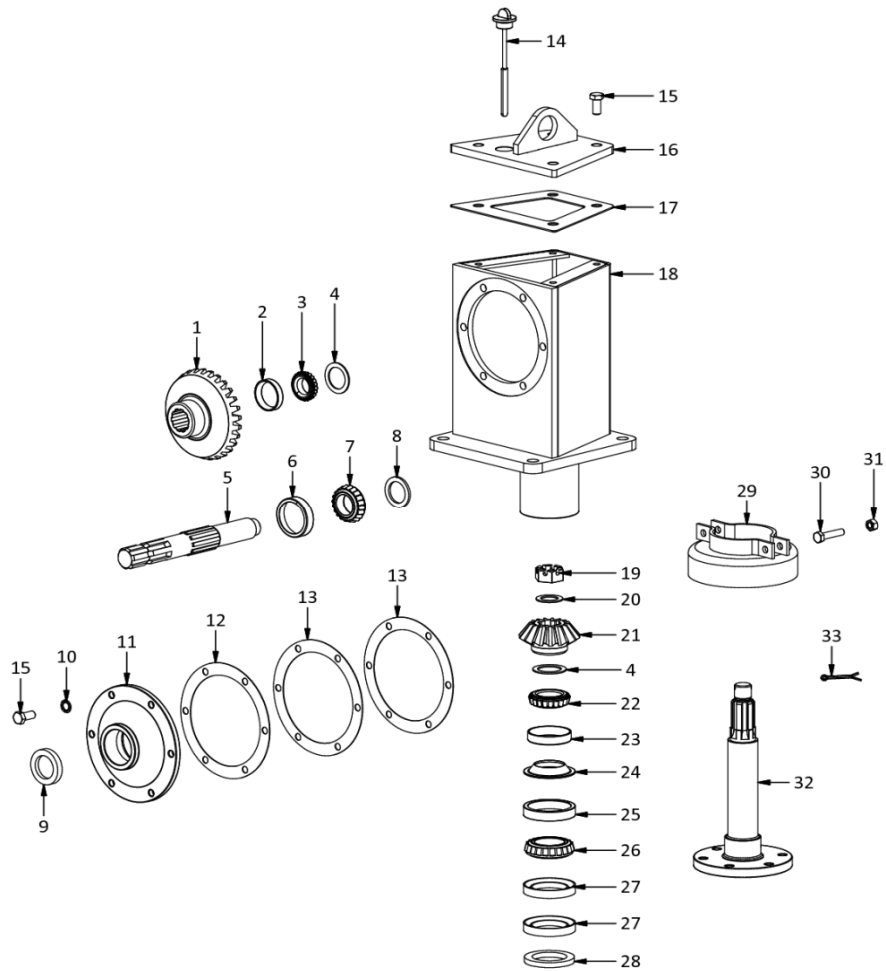
F50-150 Slasher
A0021



**F50-150 Slasher
A0021**

Item	Part No.	Description	Qty	Item	Part No.	Description	Qty
1	H0520	Deck Painted 1500	1	41	M3187	Decal ATTENTION If your tractor is	1
2	H0404	Side panel	2	42	M3171	Decal Baie Belangrik Alvorens U Die	1
3	H0603	Top mast Cat1/2	1	43	M3168	Decal Bird FALCON Large	1
4	T600960CE112F22	PTO shaft T60 960 112 F22	1	44	M3176	Decal Bird Falcon Meduim	2
5	H1300	Gearbox F50	1	45	M3178	Decal Blade/Lem	1
6	H0202	Flap Rear 1500	1	46	M3172	Decal DANGER STAY AWAY - ROTATING.....	1
7	H0253	Skirt 1500	1	47	M3133	Decal F50/150 Slasher	1
8	H0655	Clevis Right +stop	1	48	M3174	Decal IMPORTANT WHEN LOADING.....	1
9	H0654	Clevis Left	1	49	M3173	Decal Lifting hook	1
10	H0702	PTO guard	1	50	M3175	Decal PROUD TO BE SOUTH AFRICAN	1
11	H0102	Pin Hinge 1500	1	51	M3170	Decal VERY IMPORTANT BEFORE USING.....	1
12	H1351	Blade beam 10x100 PCD890	2	52	M3117	Decal WARRANTY 2+3 WAARBORG.....	1
13	H0422	Skid runner 8x90	4	53	M8400	Operators manual Slashers	1
14	H0645	Pin Btm link Cat2/1	2				
15	H0633	Pin Top link Cat2/1	1				
16	H1804	Blade Banana 12x90x(345)-32.5	2				
17	R0611	Chain GR5 10.0	1				
18	M51963	Blade bolt 3/4UNCx2-1/2HT CSK	2				
19	H5357	Ganged bolts M16Fx55	2				
20	M0623	Spacer	1				
21	M0622	Shackle 7/16in 1.5T	2				
22	H71914	Bush Hard 19x32x14	2				
23	H71617	Bush 16x25x17	2				
24	M31612	Nut M16	2				
25	M61616	Nut Nyloc M16	6				
26	M81603	Washer M16x40x3	2				
27	M41655	Bolt M16x55HT	2				
28	M41650	Bolt M16x50HT	4				
29	M41645	Bolt M16x45HT	2				
30	M41450	Bolt M14x50HT	4				
31	M61921	Nut Nyloc 3/4UNC CSK	2				
32	FLP11	Lynchpin 11mm	3				
33	M91604	Washer Spring M16	8				
34	M31410	Nut M14	4				
35	M61616F	Nut Nyloc M16F	4				
36	M91002	Washer Spring M10	21				
37	M11025	Bolt+nut M10x25HT	18				
38	M11640	Bolt+nut M16x40HT	12				
39	M21030	Plough bolt+nut M10x30HT	24				
40	M3003	Serial plate	1				

**Gearbox F50
H1300**



Item	Part No.	Description	Qty
1	H1310	Gear Bevel Z29/z10	1
2	M1311	Bearing L44610	1
3	M1312	Bearing L44649	1
4	M1313	Shim 35x49x0.25	A/R
4	M1341	Shim 35x49x0.5	A/R
4	M1342	Shim 35x49x1.0	A/R
5	H1309	Shaft Input 1-3/8 Z6	1
6	M1306	Bearing LM48510	1
7	M1307	Bearing LM48548	1
8	H1308	Washer Hard 50x35x4	1
9	M1301	Seal Radial lip 137227	1
10	M81201	Washer Star M12	6
11	H1303	Input cover F50	1
12	M1304	Gasket Input F50	1
13	M1305	Shim 0.1mm Plastic	A/R
14	M1334	Plug + Dipstick F50	1
15	M41225	Bolt M12x25HT	10
16	H1321A	Cover Gearbox F50	1
17	M1320	Gasket Top F50	1
18	H1314	Housing F50	1
19	M1319	Nut Slotted 1.0UNF	1
20	M1343	Washer 40x26x2	1
21	H1318	Gear Bevel Z16/z6	1
22	M1407	Bearing LM29749	1
23	M1408	Bearing LM29710	1
24	H1324	Retainer Domed	1
25	M1327	Bearing 603011	1
26	M1328	Bearing 603049	1
27	M1325	Seal Radial lip 103905	2
28	M1326	Seal Felt 75x50x10	1
29	H1323	Dust cover	1
30	M41045	Bolt M10x45HT	2
31	M31007	Nut M10	2
32	H1315	Shaft Output F50	1
33	M1416	Split pin B5x60	1