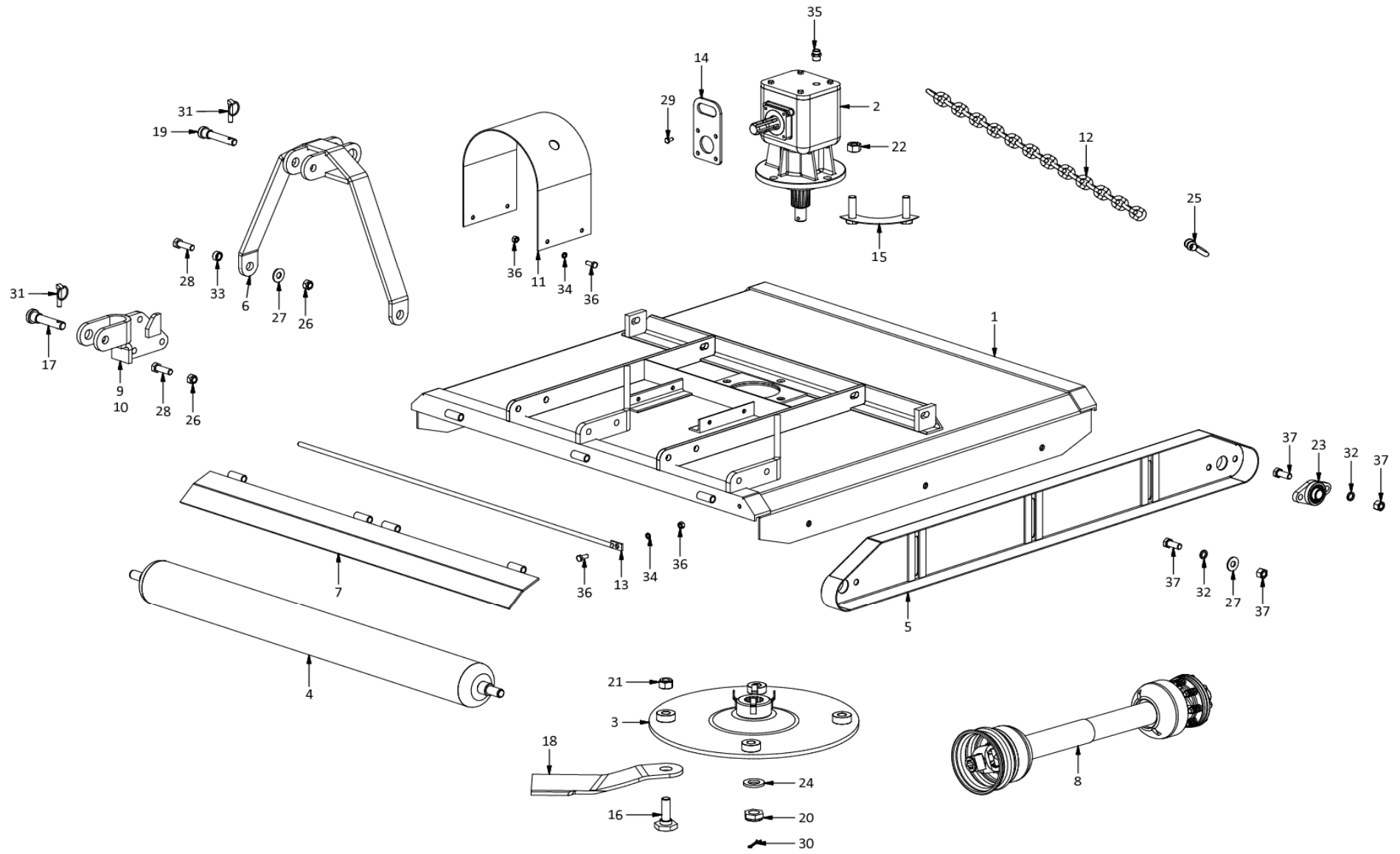


F40-120RM Rollermower
A0012



**F40-120RM Rollermower
A0012**

| Item | Part No. | Description | Qty | Item | Part No. | Description | Qty |
|------|-----------------|---|-----|------|----------|--|-----|
| 1 | H0510R | Deck Painted 1200 | 1 | 41 | M3168 | Decal Bird FALCON Large | 1 |
| 2 | M1203 | Gearbox F40 | 1 | 42 | M3169 | Decal Bird FALCON Small | 2 |
| 3 | H1257 | Disk 4-M22 PCD470 | 1 | 43 | M3178 | Decal Blade/Lem | 1 |
| 4 | H0301 | Roller 1200 D127.0 | 2 | 44 | M3172 | Decal DANGER STAY AWAY - ROTATING..... | 1 |
| 5 | H0408 | Side panel | 2 | 45 | M3129 | Decal F40/120R Rollermower | 1 |
| 6 | H0601 | Top mast Cat1/2 | 1 | 46 | M3174 | Decal IMPORTANT WHEN LOADING..... | 1 |
| 7 | H0212 | Flap Rear 1200 | 2 | 47 | M3173 | Decal Lifting hook | 1 |
| 8 | T400760CE112F12 | PTO shaft T40 760 112 F12 | 1 | 48 | M3175 | Decal PROUD TO BE SOUTH AFRICAN | 1 |
| 9 | H0655 | Clevis Right +stop | 1 | 49 | M3170 | Decal VERY IMPORTANT BEFORE USING..... | 1 |
| 10 | H0654 | Clevis Left | 1 | 50 | M3116 | Decal WARRANTY 2+2 WAARBORG..... | 1 |
| 11 | H0702 | PTO guard | 1 | | | | |
| 12 | R0609 | Chain GR5 9.0 | 1 | | | | |
| 13 | H0101 | Pin Hinge 1200 | 2 | | | | |
| 14 | M0626 | Lifting bracket | 1 | | | | |
| 15 | H1206 | Ganged bolts 3/4UNFx2-1/2 | 2 | | | | |
| 16 | M52275 | Blade bolt M22-10.9 Special | 4 | | | | |
| 17 | H0644 | Pin Btm link Cat1/2 | 2 | | | | |
| 18 | H1812 | Blade Banana 10x90x(375)-32.5 | 4 | | | | |
| 19 | H0630 | Pin Top link Cat1/2 | 1 | | | | |
| 20 | 0.140.7102.00 | Nut Slotted M30x2 | 1 | | | | |
| 21 | M62222 | Nut Nyloc M22 | 4 | | | | |
| 22 | M61919 | Nut Nyloc 3/4UNF | 4 | | | | |
| 23 | M0460 | Bearing UCFL205 | 4 | | | | |
| 24 | 0.139.7101.00 | Washer 31x56x6 | 1 | | | | |
| 25 | M0622 | Shackle 7/16in 1.5T | 2 | | | | |
| 26 | M61616 | Nut Nyloc M16 | 6 | | | | |
| 27 | M81603 | Washer M16x40x3 | 8 | | | | |
| 28 | M41650 | Bolt M16x50HT | 6 | | | | |
| 29 | M40815 | Bolt M8x16HT | 4 | | | | |
| 30 | M1416 | Split pin B5x60 | 1 | | | | |
| 31 | FLP11 | Lynchpin 11mm | 3 | | | | |
| 32 | M91604 | Washer Spring M16 | 14 | | | | |
| 33 | H71613 | Bush 16x25x13 | 2 | | | | |
| 34 | M91002 | Washer Spring M10 | 6 | | | | |
| 35 | LF14086700269 | Plug Breather 1/2BSP | 1 | | | | |
| 36 | M11025 | Bolt+nut M10x25HT | 12 | | | | |
| 37 | M11640 | Bolt+nut M16x40HT | 28 | | | | |
| 38 | M3003 | Serial plate | 1 | | | | |
| 39 | M3187 | Decal ATTENTION If your tractor is | 1 | | | | |
| 40 | M3171 | Decal Baie Belangrik Alvorens U Die | 1 | | | | |