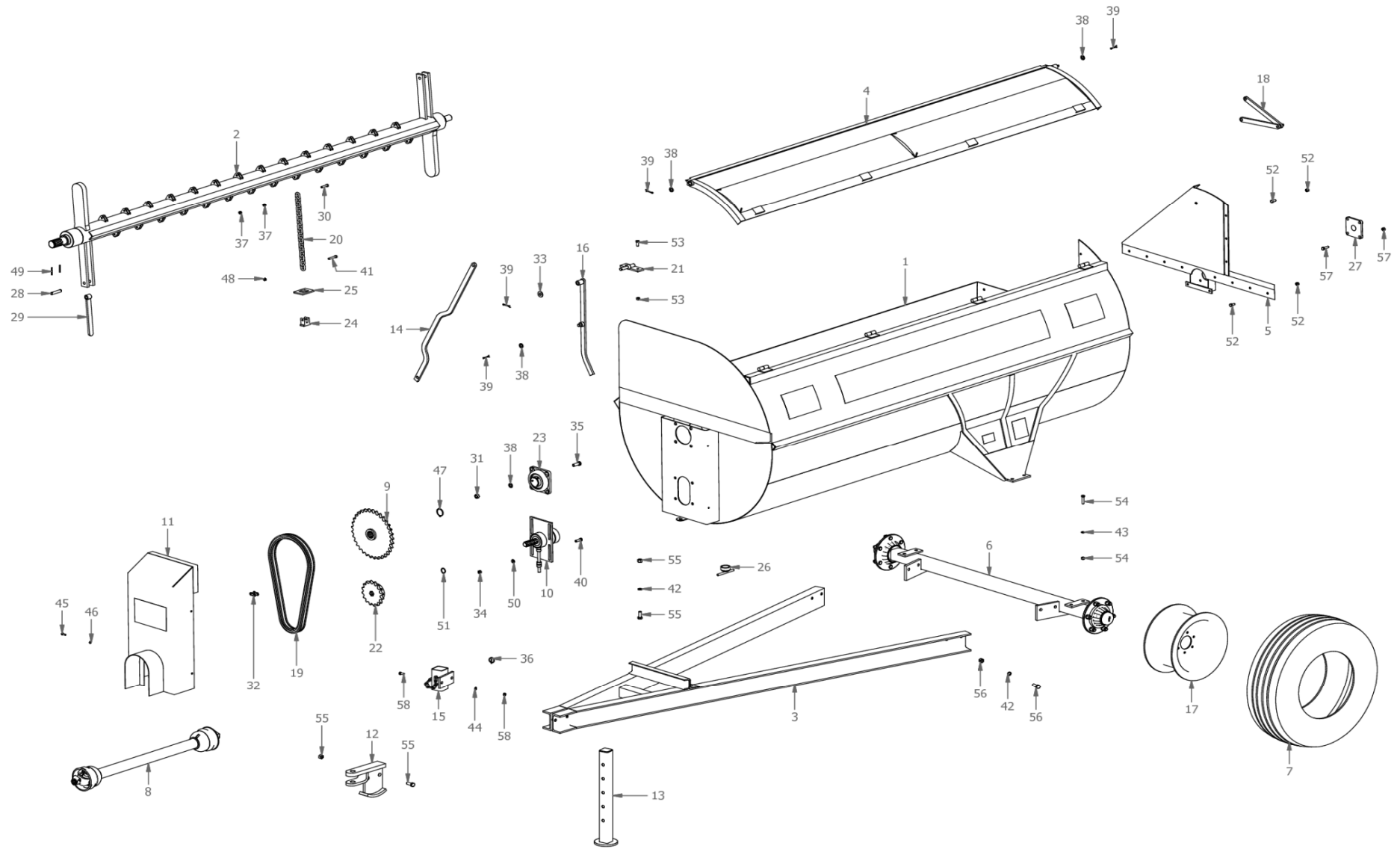


F4200 Rotorspreader A0062



**F4200 Rotorspreader
A0062**

Item	Part No.	Description	Qty	Item	Part No.	Description	Qty
1	H3400	Painted Hull F4200 Rotorspreader	1	41	M3414	Cap screw 10x55mm	28
2	H3411	Rotor F4200 RS Rotorspreader	1	42	M91604	Washer Spring M16 Galv	6
3	H3442	Chassis Frame F4200RS	1	43	M91213	Washer Spring M12 Galv	4
4	H3408	Lid F4200RS	1	44	M81002	Washer Flat M10 Galv	2
5	H3401	Rotorspreader Rear Fixture	1	45	M10825	Bolt M8x25 + Nut Galv	4
6	M3446	Axle Assy 70mmx1.8M (4.2 Rotaspreader)	1	46	M80803	Washer Flat M8 Galv	4
7	M3443	Tyre 9.00x16x 10 Ply (Rotaspreader 4200)	2	47	M3418	Circlip External 48mm	1
8	T601010CE112112	PTO shaft B6 1.2m + Clutch FF2	1	48	M61007	Nut Nyloc M10 Galv	28
9	H3419	Sprocket Top 33 Tooth F4200RS	1	49	M70550	Selok Pin 5x50mm	4
10	H3430	Bearing Assy Botom Rotorspreader	1	50	M81202	Washer Flat M12 Galv	4
11	H3417	Chain & PTO Guard F4200RS	1	51	M3436	Circlip External 32mm	1
12	H3425	Clevis Hitch (Std)	1	52	M11225	Bolt M12x25 + Nut Galv	26
13	H3427	Pin, Jack Stand Rotorspreader	1	53	M11230	Bolt M12x30 + Nut Galv	4
14	H3440	Lid Operating Lever R/Spreader	1	54	M11250	Bolt M12x50 + Nut Galv	8
15	H3428	Jack Stand Rotorspreader	1	55	M11640	Bolt + Nut M16x40 HT Galv	8
16	H3416	Lid Lever Link F4200RS	1	56	M11645	Bolt M16x45 + Nut Galv	8
17	M3445	Rims 6 Stud 16" (4200 Rotaspreader)	2	57	M11240	Bolt M12x40 + Nut Galv	8
18	H3407	Lid Rear Link Rod Assy F4200RS	1	58	M11025	Bolt + Nut M10x25 HT Galv	4
19	M3421	Drive Chain 1 1/4" F4200 RS	1	59	M3160	Decal F4200 Rotaspreader	1
20	M3412	HT Chain (1 Length 17 Link)	28	60	M3176	Decal Brid FALCON Meduim	3
21	H3441	Lid Lever Hinge Pin R/Spreader	1	61	M3168	Decal Bird FALCON Large	1
22	H3423	Sprocket Bottom 16 Tooth	1	62	M3003	Serial plate Metal FALCON	1
23	M3429	Bearing UCF 211/32	1	63	M3175	Decal PROUD TO BE SOUTH AFRICAN	1
24	H3413	Flail Head for RS Chain	28				
25	H3415	Flail Plate (Fits under Head)	28				
26	H1382	Cap Hull	1				
27	M3403	Bearing UCF 208/24	1				
28	H3406	Pin for End Flail R/Spreader	2				
29	H3405	End Flail F4200RS	2				
30	M41045	Bolt M10x45 HT Galv	28				
31	M31612	Nut M16 Galv	4				
32	M3422	Master Link 1 1/4" F4200 RS	1				
33	M81603	Washer M16x40x3 Galv	1				
34	M31209	Nut M12 Galv	4				
35	M41645	Bolt M16x45 HT Galv	4				
36	FLP4	Lynchpin 4mm	1				
37	M31007	Nut M10 Galv	56				
38	M81602	Washer Flat M16x40x2	7				
39	M1416	Split pin B5x60	4				
40	M41240	Bolt M12x40 HT Galv	4				