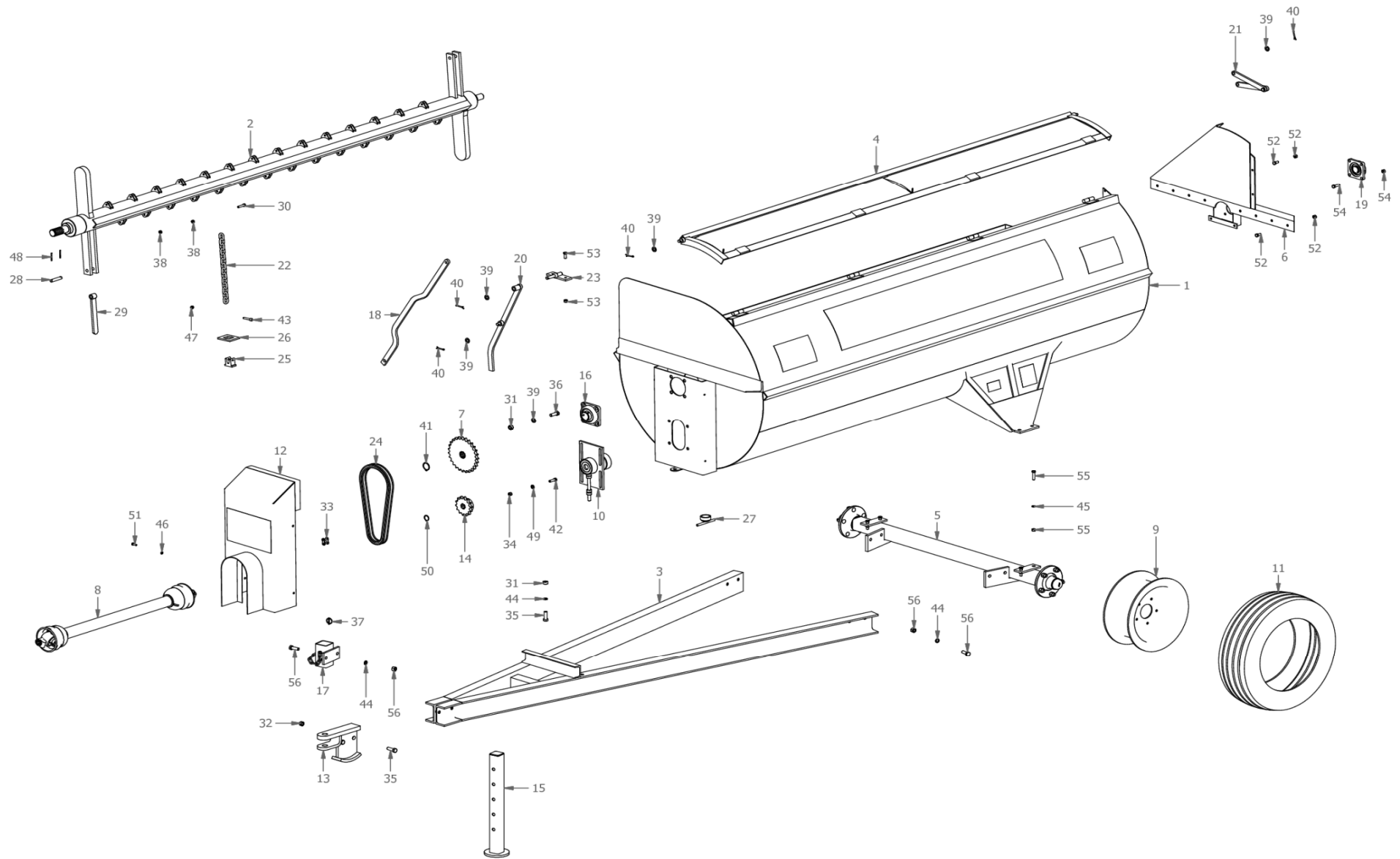


F3000 Rotorspreader A0061



**F3000 Rotorspreader
A0061**

| Item | Part No. | Description | Qty | Item | Part No. | Description | Qty |
|------|-----------------|--|-----|------|----------|---------------------------------|-----|
| 1 | H3300 | Painted Hull F4200 Rotorspreader | 1 | 41 | M3325 | Circlip External 41.5mm | 1 |
| 2 | H3311 | Rotor F3000 RS Rotorspreader | 1 | 42 | M41240 | Bolt M12x40 HT Galv | 4 |
| 3 | H3342 | Chassis Frame F3000RS | 1 | 43 | M3414 | Cap screw 10x55mm | 28 |
| 4 | H3308 | Lid F4200RS | 1 | 44 | M91604 | Washer Spring M16 Galv | 10 |
| 5 | M3346 | Axle Assy 55mm (3000 R/Spreader) | 1 | 45 | M91213 | Washer Spring M12 Galv | 4 |
| 6 | H3301 | Corner Plate F3000RS | 1 | 46 | M80803 | Washer Flat M8 Galv | 4 |
| 7 | H3319 | Sprocket Top 27 Tooth F3000RS | 1 | 47 | M61007 | Nut Nyloc M10 Galv | 28 |
| 8 | T601010CE112112 | PTO shaft B6 1.2m + Clutch FF2 | 1 | 48 | M70550 | Selok Pin 5x50mm | 4 |
| 9 | M3345 | Rim 5 Stud 16" Black F3000 Rotorspreader | 2 | 49 | M81202 | Washer Flat M12 Galv | 4 |
| 10 | H3430 | Bearing Assy Botom Rotorspreader | 1 | 50 | M3436 | Circlip External 32mm | 1 |
| 11 | M3343 | Tyre 7.50x16x8 Ply (Rotaspreader 3000) | 2 | 51 | M10825 | Bolt M8x25 + Nut Galv | 8 |
| 12 | H3317 | Chain & PTO Guard F3000RS | 1 | 52 | M11225 | Bolt M12x25 + Nut Galv | 24 |
| 13 | H3425 | Clevis Hitch (Std) | 1 | 53 | M11230 | Bolt M12x30 + Nut Galv | 4 |
| 14 | H3323 | Sprocket Bottom 14 Tooth | 1 | 54 | M11240 | Bolt M12x40 + Nut Galv | 8 |
| 15 | H3427 | Pin, Jack Stand Rotorspreader | 1 | 55 | M11250 | Bolt M12x50 + Nut Galv | 8 |
| 16 | M3318 | Bearing UCF 209/28 | 1 | 56 | M11645 | Bolt M16x45 + Nut Galv | 12 |
| 17 | H3428 | Jack Stand Rotorspreader | 1 | 57 | M3168 | Decal Bird FALCON Large | 2 |
| 18 | H3351 | Lid Operating Lever R/Spreader | 1 | 58 | M3159 | Decal F3000 Rotaspreader | 1 |
| 19 | M3302 | Bearing UCF 207/22 | 1 | 59 | M3176 | Decal Brid FALCON Meduim | 2 |
| 20 | H3316 | Lid Lever Link F3000RS | 1 | 60 | M3003 | Serial plate Metal FALCON | 1 |
| 21 | H3307 | Lid Rear Link Rod Assy F3000RS | 1 | 61 | M3175 | Decal PROUD TO BE SOUTH AFRICAN | 1 |
| 22 | M3312 | HT Chain (1 Length 14 Link) | 28 | | | | |
| 23 | H3441 | Lid Lever Hinge Pin R/Spreader | 1 | | | | |
| 24 | M3321 | Drive Chain 1" 25 Link F3000RS | 1 | | | | |
| 25 | H3413 | Flail Head for RS Chain | 28 | | | | |
| 26 | H3415 | Flail Plate (Fits under Head) | 28 | | | | |
| 27 | H1382 | Cap Hull | 1 | | | | |
| 28 | H3306 | Pin for End Flail R/Spreader | 2 | | | | |
| 29 | H3305 | End Flail F4200RS | 2 | | | | |
| 30 | M41045 | Bolt M10x45 HT Galv | 28 | | | | |
| 31 | M31612 | Nut M16 Galv | 6 | | | | |
| 32 | M61616 | Nut Nyloc M16 Galv | 2 | | | | |
| 33 | M3322 | Master Link 1" F3000RS | 1 | | | | |
| 34 | M31209 | Nut M12 Galv | 4 | | | | |
| 35 | M41650 | Bolt M16x50 HT Galv | 4 | | | | |
| 36 | M41645 | Bolt M16x45 HT Galv | 4 | | | | |
| 37 | FLP4 | Lynchpin 4mm | 1 | | | | |
| 38 | M31007 | Nut M10 Galv | 56 | | | | |
| 39 | M81602 | Washer Flat M16x40x2 | 8 | | | | |
| 40 | M1416 | Split pin B5x60 | 4 | | | | |