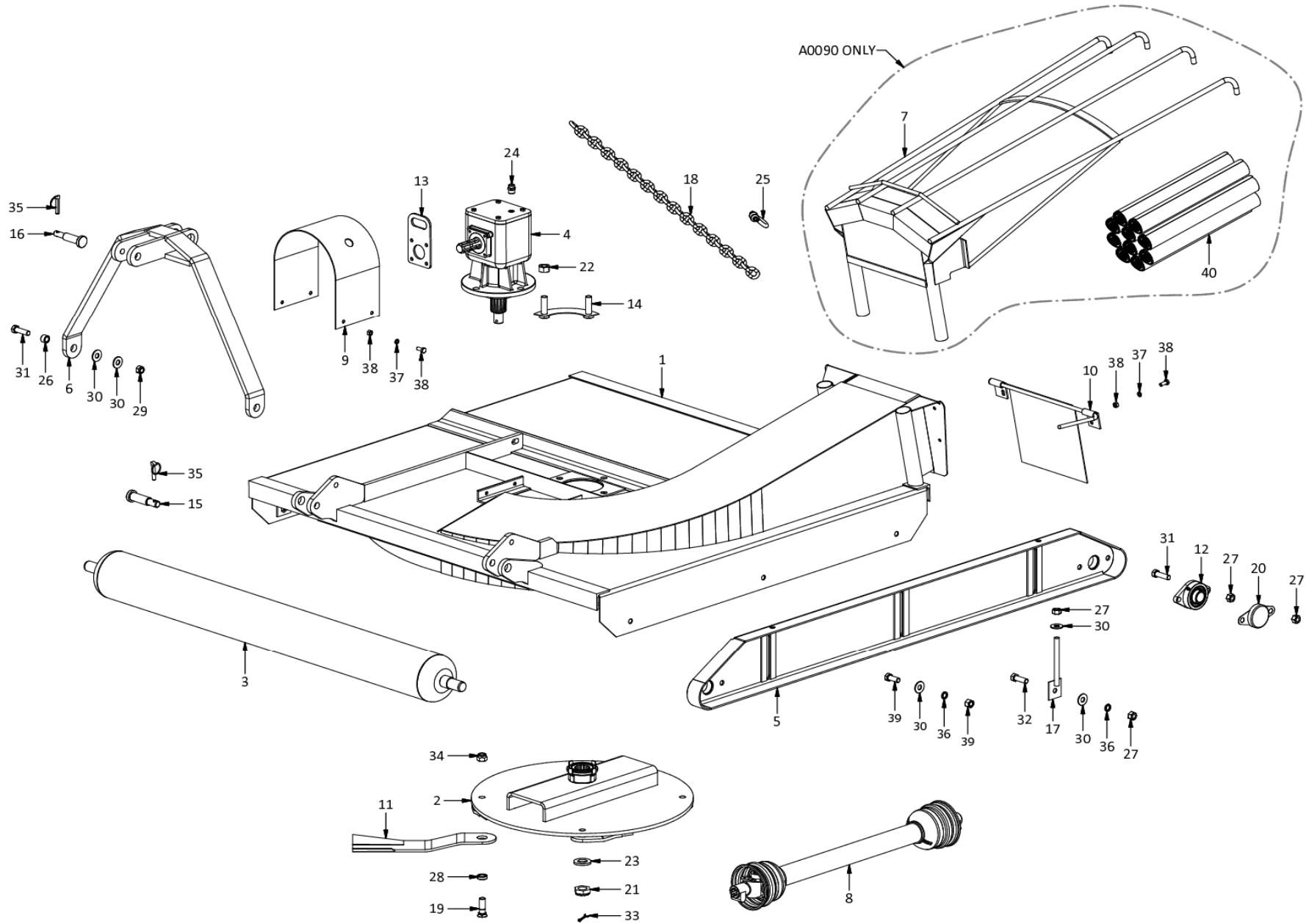


F40-150BM Blowermower (with & without grass bag frame)
A0090 & A0091



**F40-150BM Blowermower (with & without grass bag frame)
A0090 & A0091**

Item	Part No.	Description	Qty	Item	Part No.	Description	Qty
1	H0562	Deck Painted 1500	1	41	M3187	Decal ATTENTION If your tractor is	1
2	H1280	Disc 4-3/4in PCD650	1	42	M3171	Decal Baie Belangrik Alvorens U Die	1
3	H0302	Roller 1500 D165.0	2	43	M3168	Decal Bird FALCON Large	1
4	M1203	Gearbox F40	1	44	M3176	Decal Bird Falcon Meduim	2
5	H0479	Side panel	2	45	M3178	Decal Blade/Lem	1
6	H0603	Top mast Cat1/2	1	46	M3172	Decal DANGER STAY AWAY - ROTATING.....	1
7	H0840	F150 B/Mower Bag Ret Frame	1	47	M3242	Decal F40/150BM Blowermower	1
8	T401010CE112112	PTO shaft B4 1.2m	1	48	M3174	Decal IMPORTANT WHEN LOADING.....	1
9	H0702	PTO guard	1	49	M3173	Decal Lifting hook	1
10	H0848	120 BM Chute Flap	1	50	M3175	Decal PROUD TO BE SOUTH AFRICAN	1
11	H1460	Blade 8x90x(425)-32.5	4	51	M3170	Decal VERY IMPORTANT BEFORE USING.....	1
12	M0461	Bearing UCFL207	4	52	M3116	Decal WARRANTY 2+2 WAARBORG.....	1
13	M0626	Lifting bracket	1	53	M3003	Serial plate	1
14	H1206	Ganged bolts 3/4UNFx2-1/2	2				
15	H0645	Pin Btm link Cat2/1	2				
16	H0633	Pin Top link Cat2/1	1				
17	H0440	Height adjuster	4				
18	R0611	Chain GR5 10.0	1				
19	M51963	Blade bolt 3/4UNCx2-1/2HT CSK	4				
20	M0465	Dust cover UCFL207	4				
21	0.140.7102.00	Nut Slotted M30x2	1				
22	M61919	Nut Nyloc 3/4UNF	4				
23	0.139.7101.00	Washer 31x56x6	1				
24	LF14086700269	Plug Breather 1/2BSP	1				
25	M0622	Shackle 7/16in 1.5T	2				
26	H71617	Bush 16x25x17	2				
27	M31612	Nut M16	24				
28	H71910	Bush Hard 19x32x10	4				
29	M61616	Nut Nyloc M16	2				
30	M81603	Washer M16x40x3	14				
31	M41655	Bolt M16x55HT	10				
32	M41650	Bolt M16x50HT	4				
33	M1416	Split pin B5x60	1				
34	M61920	Nut Nyloc 3/4UNC	4				
35	FLP11	Lynchpin 11mm	3				
36	M91604	Washer Spring M16	6				
37	M91002	Washer Spring M10	6				
38	M11025	Bolt+nut M10x25HT	12				
39	M11640	Bolt+nut M16x40HT	4				
40	H0847	Grass bag set 40% Light duty	1				