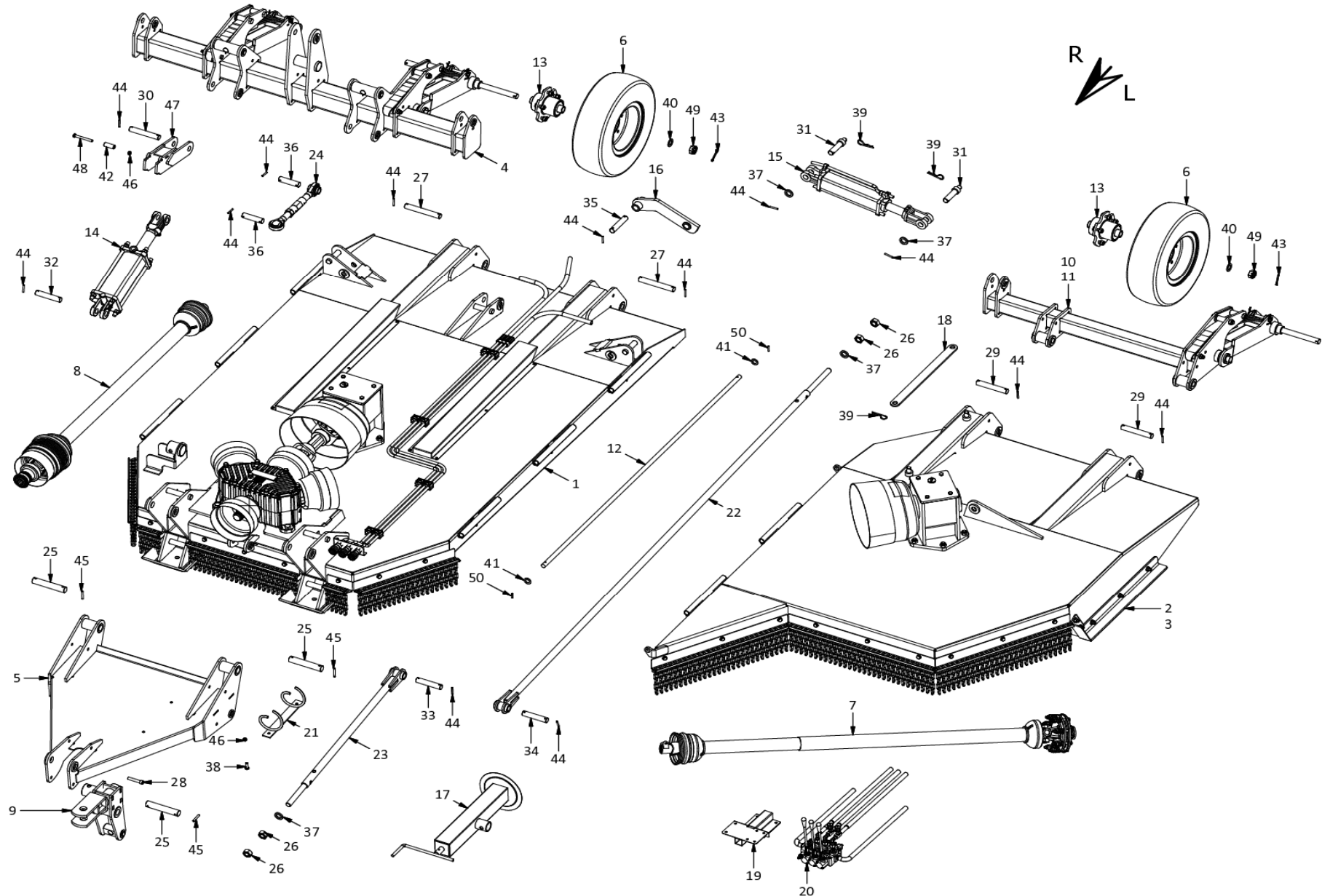


F60-450 Flexwing Slasher  
A0086



**F60-450 Flexwing Slasher  
A0086**

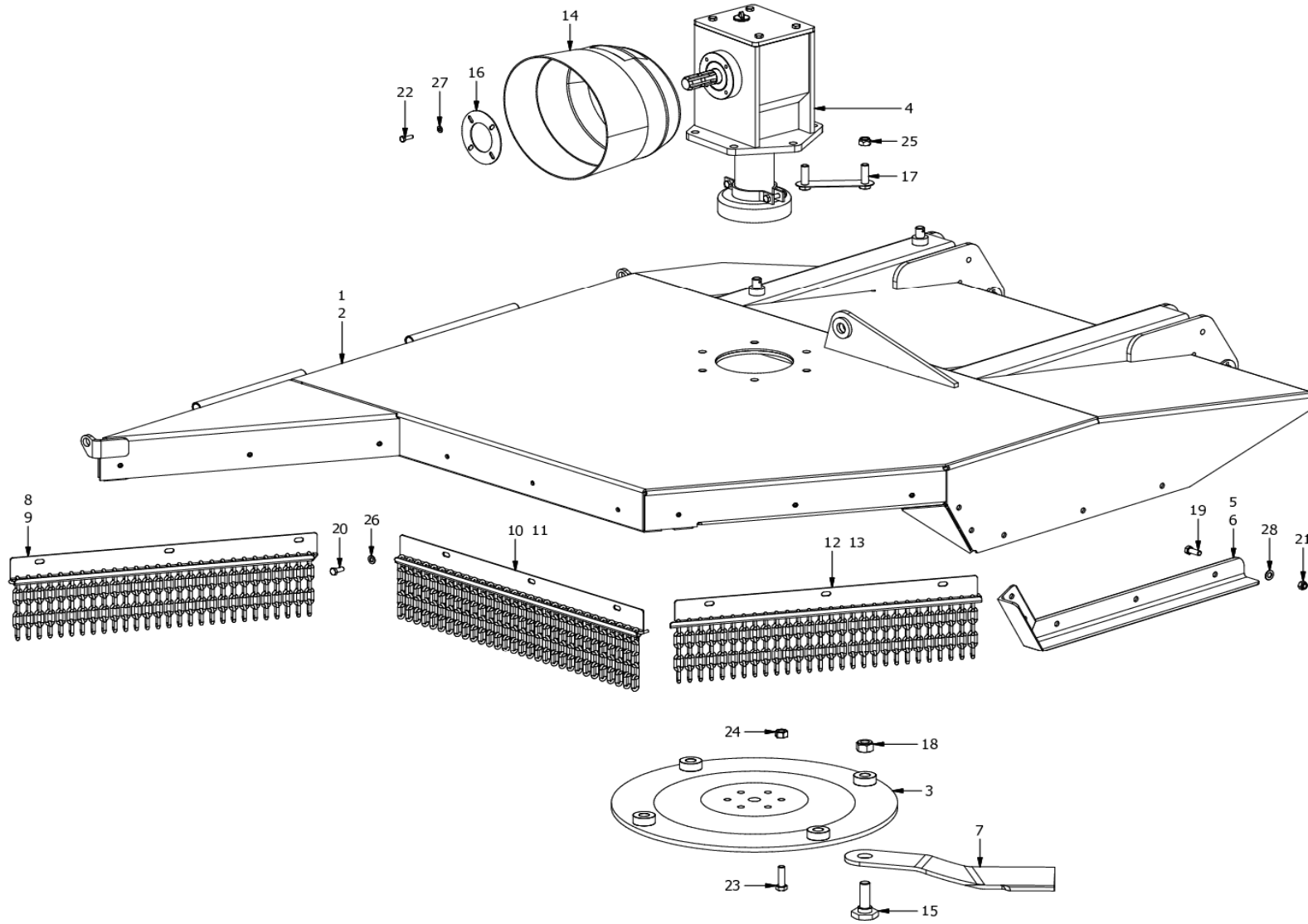
Item	Part No.	Description	Qty	Item	Part No.	Description	Qty
1	H5400	Deck assy Complete Main	1	41	M5515	Washer 19.5x30x3	4
2	H5401	Deck assy Complete Left	1	42	H5549	Bush 10.5x20x50	1
3	H5402	Deck assy Complete Right	1	43	M1416	Split pin B5x60	6
4	H5403	Wheel carrier assy Main	1	44	M5593	Roll pin M6x40	38
5	H5433	Drawbar	1	45	M5594	Roll pin M8x50	6
6	M3799	Wheel Laminated 21x6.00-5	6	46	M61007	Nut Nyloc M10	3
7	T0768402810	PTO T60 1210	2	47	H5406	Cylinder lock	1
8	78611210EN00204900	PTO CV T60 1210	1	48	M41090	Bolt M10x90HT	1
9	H5410	Towing hitch Complete Swivel-type	1	49	M42525	Nut 1.0UNF	6
10	H5405	Wheel carrier assy Right	1	50	M5592	Roll pin M6x30	4
11	H5404	Wheel carrier assy Left	1	51	M3353	Decal 15km 100mm	2
12	H5407	Pin Hinge pivot	2	52	M3171	Decal Baie Belangrik Alvorens U Die	1
13	H3800A	Hub Assy 5-0.5in@D5.5in	6	53	M3168	Decal Bird FALCON Large	1
14	M5555	Cylinder Hyd DB40008-200	1	54	M3172	Decal DANGER STAY AWAY - ROTATING.....	3
15	M5556	Cylinder Hyd DB30010-150	2	55	M3352	Decal F60/450 Slasher	1
16	H5412	Break link	2	56	M3174	Decal IMPORTANT WHEN LOADING.....	1
17	H0710	Parking jack 500mm	1	57	M3175	Decal PROUD TO BE SOUTH AFRICAN	2
18	M5514	Cylinder lock	2	58	M3170	Decal VERY IMPORTANT BEFORE USING.....	1
19	H5427	Mounting kit Hyd v/v control	1	59	M3116	Decal WARRANTY 2+2 WAARBORG.....	1
20	M5448	Kit Hydraulic Remote	1	60	M3003	Serial plate	1
21	H5580	Guide Hyd pipes	1	61	M8409	Operators manual Flexwing	1
22	H5409	Tie-rod M24x2890	2				
23	H5411	Tie-rod M24x1070	1				
24	H5408	Turn-buckle Special	2				
25	H5422	Pin D30x167-143	3				
26	M32418	Nut M24	6				
27	H5414	Pin D25x181-163	2				
28	M51265	Capscrew M12x65	1				
29	H5415	Pin D25x157-139	4				
30	H5418	Pin D25x151-133	1				
31	H5413	Pin D20/D25-129.5	4				
32	H5417	Pin D25x127-109	1				
33	H5425	Pin D25x131-113	1				
34	H5423	Pin D25x125-107	2				
35	H5419	Pin D25x123-105	2				
36	H5426	Pin D25x103-85	4				
37	M82402	Washer M24	7				
38	M41030	Bolt M10x30HT	2				
39	M5235	R-clip 4mm	8				
40	M82503	Washer Flat 1.0in	6				



**Deck Assembly Complete - Main  
H5400**

Item	Part No.	Description	Qty	Item	Part No.	Description	Qty
1	H5430	Deck Centre	1				
2	H1256	Disk 4-M22 D650	1				
3	H2610	Gearbox F60V 1:1.93	1				
4	T2768000410	Shaft Intermed T60 0.240	1				
5	H1810	Blade 10x90x(585)-32.5	2				
6	M5513	Cover Tie-rod	2				
7	H5582	Chain curtain Centre 2	1				
8	H5583	Chain curtain Centre 3	1				
9	H5581	Chain curtain Centre 1	1				
10	M5449	Kit Hydraulic Fixed	1				
11	M5360	PTO counter cone	1				
12	M52275	Blade bolt M22-10.9 Special	2				
13	M5538	Bracket Hyd manifold	1				
14	M1141	PTO counter cone	4				
15	M5579	Plate 4-M8@PCD105	5				
16	H2614	Gang bolts M16F-2	3				
17	M62222	Nut Nyloc M22 M22	2				
18	M41030	Bolt M10x30HT	3				
19	M41025	Bolt M10x25HT	9				
20	M40825	Bolt M8x25HT	20				
21	M41650F	Bolt M16Fx50HT	4				
22	M41450	Bolt M14x50HT	6				
23	M31410	Nut M14HT	6				
24	M61616F	Nut Nyloc M16F	10				
25	M81002	Washer Flat M10	9				
26	M80803	Washer Flat M8	20				
27	M61007	Nut Nyloc M10	3				
28	T305J	Gearbox T-305J 1:1.3	1				

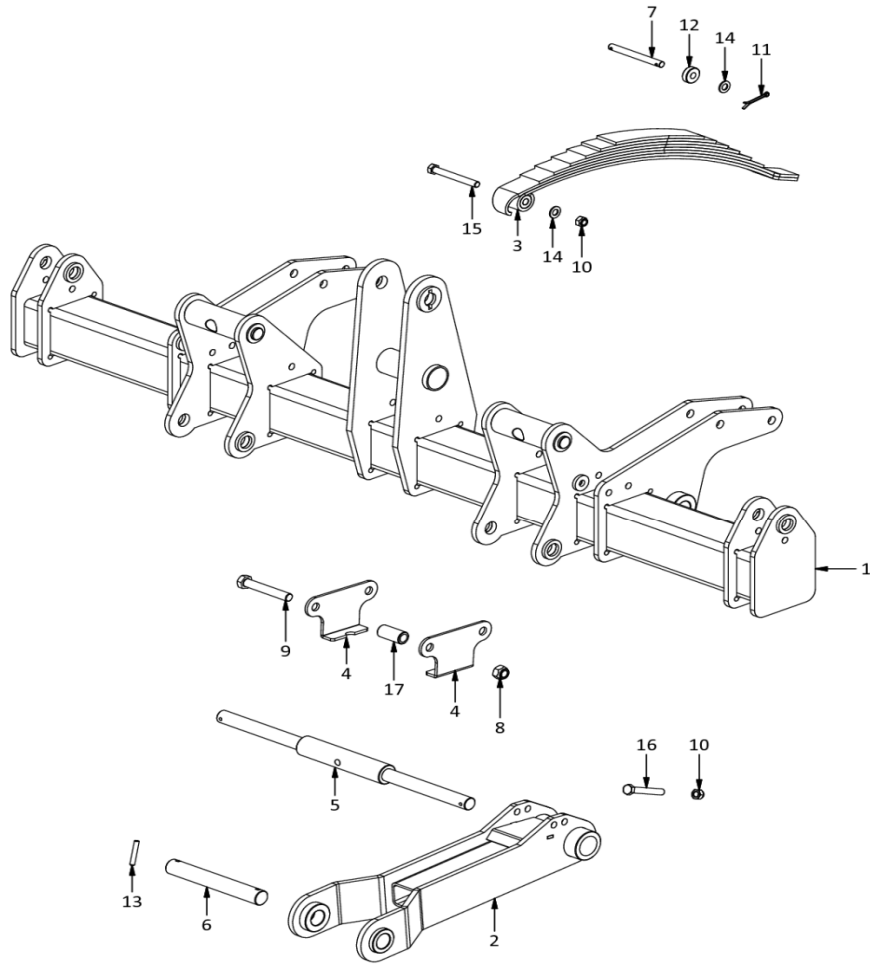
Deck Assembly Complete - Left & Right  
H5401 & H5402



**Deck Assembly Complete - Left & Right  
H5401 & H5402**

Item	Part No.	Description	Qty	Item	Part No.	Description	Qty
1	H5431	Deck Left	1				
2	H5432	Deck Right	1				
3	H5321	Disk 4-M22 D595	1				
4	H2610	Gearbox F60V 1:1.93	1				
5	H5420	Skid runner Left	1				
6	H5421	Skid runner Right	1				
7	H1821	Blade 10x90x(510)-32.5	2				
8	H5584	Chain curtain Left 1	1				
9	H5587	Chain curtain Right 1	1				
10	H5585	Chain curtain Left 2	1				
11	H5588	Chain curtain Right 2	1				
12	H5586	Chain curtain Left 3	1				
13	H5589	Chain curtain Right 3	1				
14	M5360	PTO counter cone	1				
15	M52275	Blade bolt M22-10.9 Special	2				
16	M5579	Plate 4-M8@PCD105	1				
17	H2614	Gang bolts M16F-2	3				
18	M62222	Nut Nyloc M22	2				
19	M41230	Bolt M12x30HT	5				
20	M41025	Bolt M10x25HT	9				
21	M61209	Nut Nyloc M12	5				
22	M40825	Bolt M8x25HT	4				
23	M41450	Bolt M14x50HT	6				
24	M31410	Nut M14HT	6				
25	M61616F	Nut Nyloc M16F	6				
26	M81002	Washer M10	9				
27	M80803	Washer Flat M8	4				
28	M81202	Washer Flat M12	5				

Wheel carrier assy Main Exc wheels  
H5403



Item	Part No.	Description	Qty
1	H5434	Wheel carrier beam Main	1
2	H5437	Wheel swingarm	2
3	M5557	Spring Leaf 8xL	2
4	M5516	Retainer Leaf spring 8L	4
5	H5440	Axle Special Dual	2
6	H5442	Pin D30x211-187	2
7	H5439	Pin 12x120-106	2
8	M61616	Nut Nyloc M16	4
9	M416100	Bolt M16x100HT	4
10	M61209	Nut Nyloc M12	4
11	M1416	Split pin B5x60	4
12	H5424	Bush 12.5x32x10	4
13	M5594	Roll pin M8x50	4
14	M81202	Washer Flat M12	6
15	M412100	Bolt M12x100HT	2
16	M41280	Bolt M12x80HT	2
17	H5438	Bush 16.5x25x50	4

**Wheel carrier assy Left & Right Exc wheels  
H5404 & H5405**

	Item	Part No.	Description	Qty
	1	H5435	Wheel carrier beam Left	1
	2	H5436	Wheel carrier beam Right	1
	3	H5437	Wheel swingarm	1
	4	M5558	Spring Leaf 6xL	1
	5	M5517	Retainer Leaf spring 6L	2
	6	H5441	Axle Special Single	1
	7	H5442	Pin D30x211-187	1
	8	H5439	Pin 12x120-106	1
	9	M61616	Nut Nyloc M16	2
	10	M416100	Bolt M16x100HT	2
	11	M61209	Nut Nyloc M12	2
	12	M1416	Split pin B5x60	2
	13	H5424	Bush 12.5x32x10	2
	14	M5594	Roll pin M8x50	2
	15	M81202	Washer Flat M12	3
	16	M412100	Bolt M12x100HT	1
	17	M41280	Bolt M12x80HT	1
	18	H5438	Bush 16.5x25x50	2



**Gearbox F60V  
H2610**

Item	Part No.	Description	Qty
1	H2611	Housing Extended F60V	1
2	M2624	Cover F60	1
3	H1323	Dust cover	1
4	H1378	Retainer Domed	1
5	M2616	Bearing 30207	1
6	M1333	Bearing Tapered roller 32009	2
7	M41045	Bolt M10x45HT	2
8	M1326	Seal Felt	1
9	M41025	Bolt M10x25HT	4
10	M1334	Plug + Dipstick	1
11	M2618	Plug Welsh type 72x10	1
12	M3876	Seal 35x72x10	1
13	M1375	Circlip Internal INT0750	1
14	M31007	Nut M10	2
15	M1319	Nut Slotted 1UNF	1
16	M1343	Washer 40x26x2	1
17	M2617	Gasket F60	1
18	M1416	Split pin B5x60	1
19	M1366	Seal Radial lip 75x55x8	2
20	M3633	Bearing 6207	1
21	M2619	Load washer Wave type EPL54	2
22	M2615	Circlip Int INT0720	2
23	H2606	Gear Bevel Z15/z6	1
24	H2605	Gear Bevel Z29/z10	1
25	M1368	Seal protector	1
26	H2603	Shaft Input 1-3/8 Z6	1
27	H2612	Shaft Output Extended	1
28	M3231	Gear oil Renolin CLP1000	A/R

A/R = As required