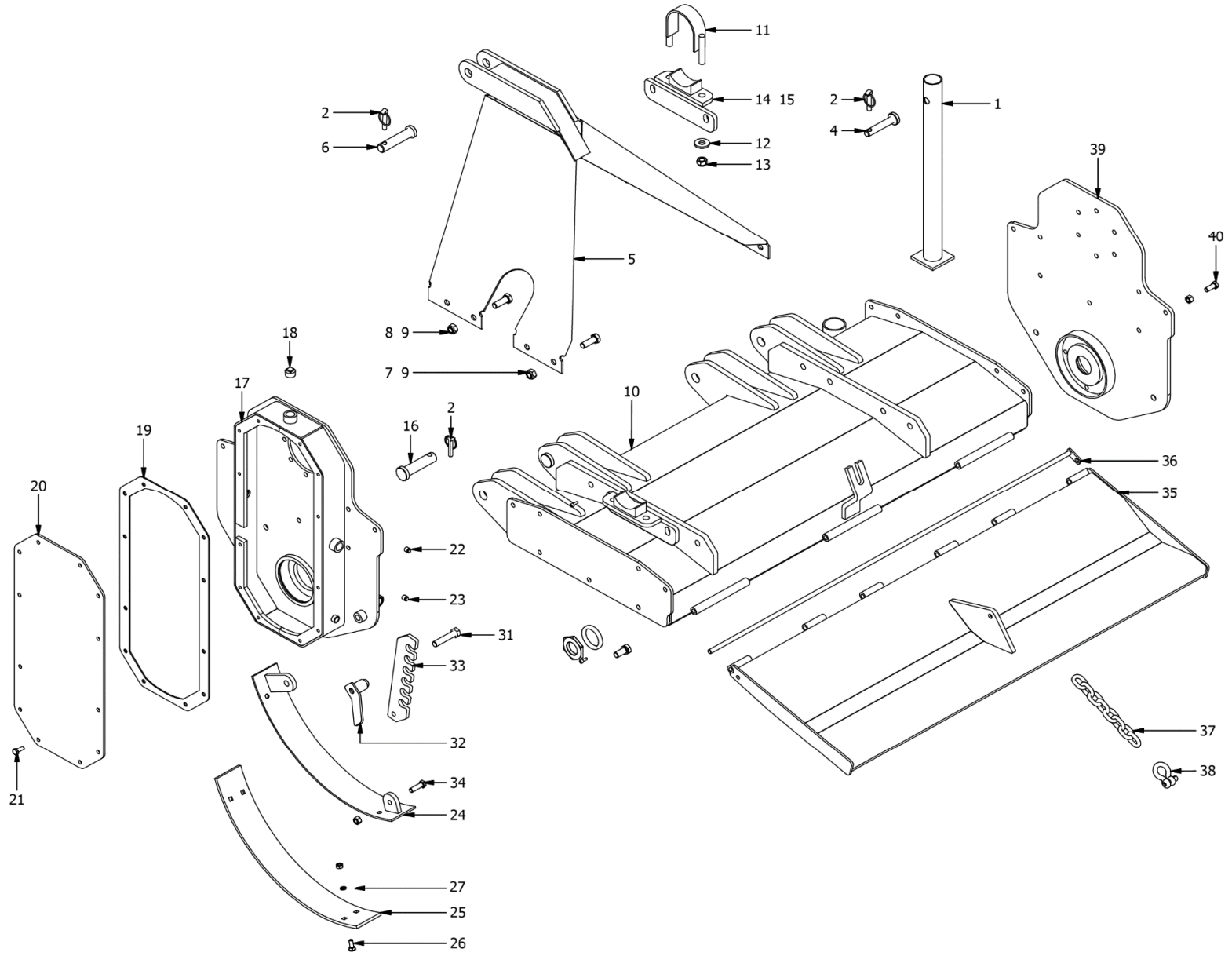
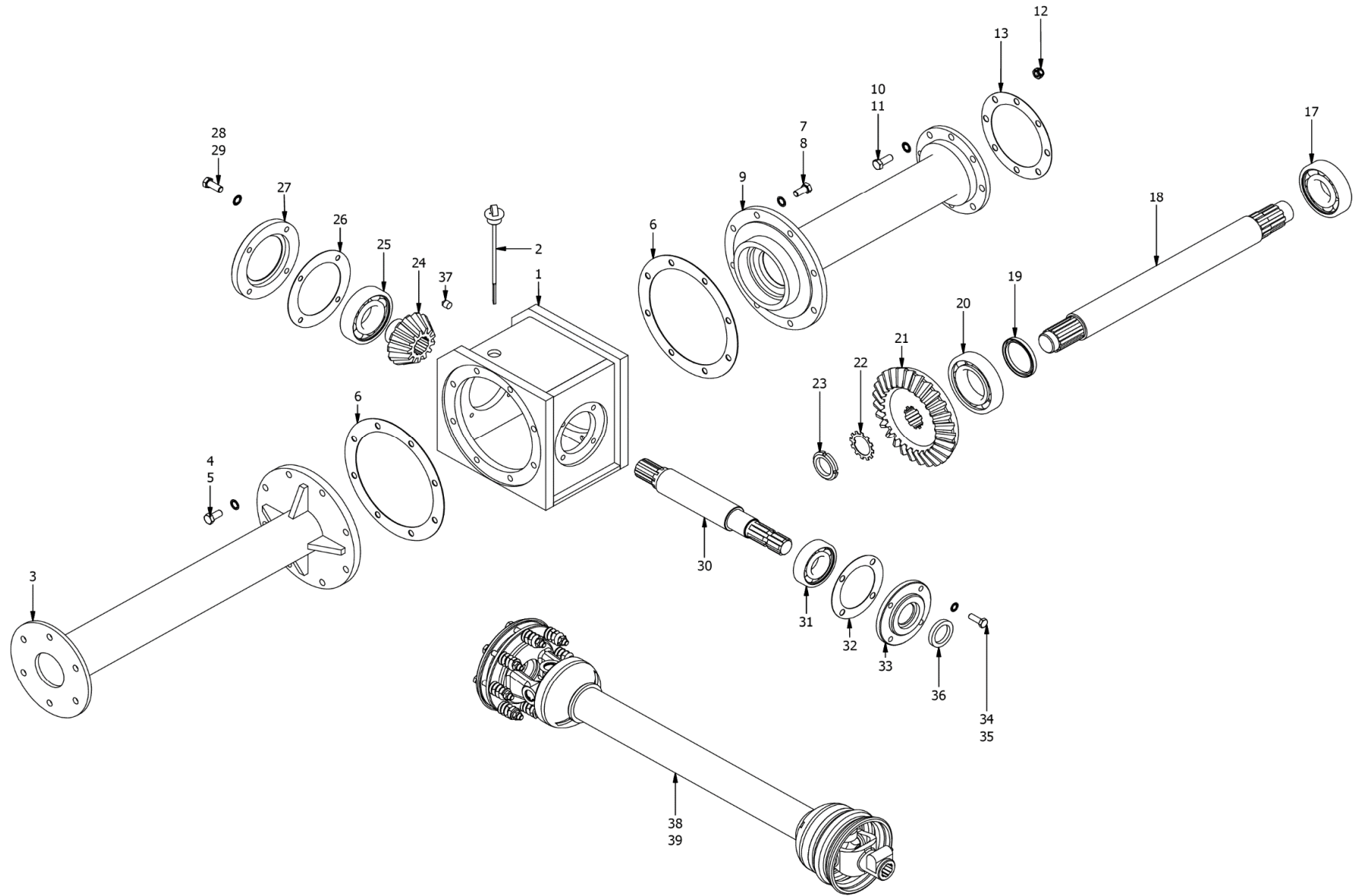


# Rotavator - Main





# Rotavator - Transmission

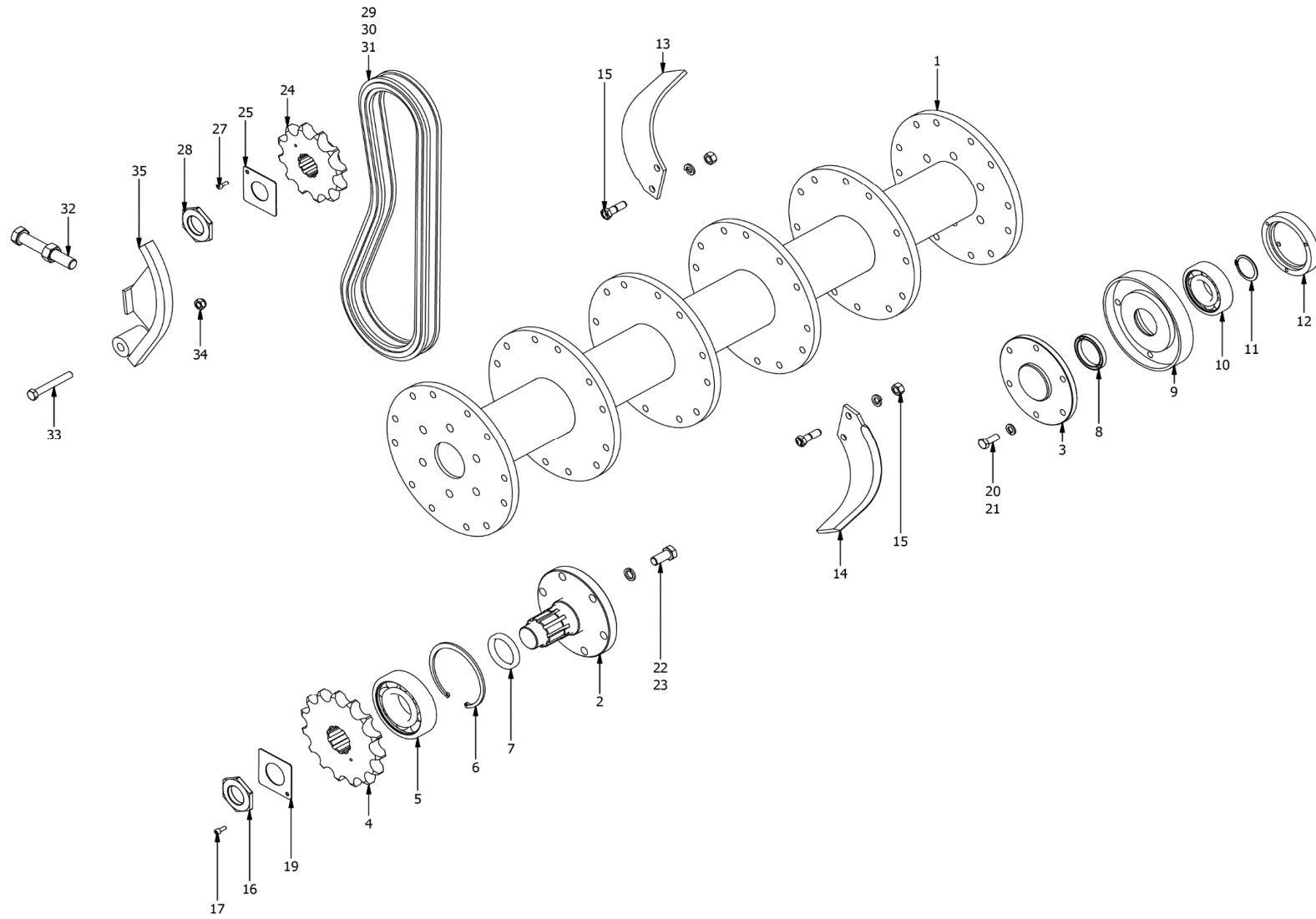


**Rotavator - Transmission**

Item	Part No.	Description	125	150	175	200	Item	Part No.	Description	125	150	175	200
1	H4200	Casing Gearbox Rotavator	1	1	1	1	36	M4403	Seal 40x55x8	1	1	1	1
2	M1439	Plug + Dipstick	1	1	1	1	37	R6228	Plug 1/4" BSP	1	1	1	1
3	H4248	Support tube Gearbox F200				1	38	T600760CE112F22	PTO shaft B6 + Friction clutch FF2	1	1		
3	H4247	Support tube Gearbox F175			1		39	T800760CE112F42	PTO shaft B8 + Friction clutch FF4			1	1
3	H4246	Support tube Gearbox F150		1			40	M3231	Gear oil Renep 1000	A/R	A/R	A/R	A/R
3	H4245	Support tube Gearbox F125	1										
4	M41225	Bolt M12x25 HT Galv	8	8	8	8							
5	M81201	Washer Non-slip M12	8	8	8	8							
6	M4406	Gasket Side	2	2	2	2							
7	M41225	Bolt M12x25 HT Galv	8	8	8	8							
8	M81201	Washer Non-slip M12	8	8	8	8							
9	H4243	Housing Jackshaft F200				1							
9	H4242	Housing Jackshaft F175			1								
9	H4241	Housing Jackshaft F150		1									
9	H4244	Housing Jackshaft F125	1										
10	M41240	Bolt M12x40 HT	8	8	8	8							
11	M81201	Washer Non-slip M12	8	8	8	8							
12	M61209	Nut Nylock M12	8	8	8	8							
13	M4407	Gasket	1	1	1	1							
17	M4401	Bearing 6310-2RS	1	1	1	1							
18	H4233	Jackshaft F200				1							
18	H4232	Jackshaft F175			1								
18	H4231	Jackshaft F150		1									
18	H4230	Jackshaft F125	1										
19	M4404	Seal 65x80x8	1	1	1	1							
20	M4402	Bearing 6213	1	1	1	1							
21	H4221	Gear Bevel Z28/z10	1	1	1	1							
22	M4416	Lock washer MB8	1	1	1	1							
23	M4415	Lock nut KM8	1	1	1	1							
24	H4215	Gear Bevel Z13/z10	1	1	1	1							
25	M4400	Bearing Plate 6308-2RS	1	1	1	1							
26	M4408	Gasket Rear	4	4	4	4							
27	H4229	Cover Rear	1	1	1	1							
28	M41030	Bolt M10x30 HT Galv	4	4	4	4							
29	M81001	Washer Non-slip M10	4	4	4	4							
30	H4210	Shaft Input	1	1	1	1							
31	M4401	Bearing 6310-2RS	1	1	1	1							
32	M4405	Gasket Input cover	2	2	2	2							
33	H4220	Cover Input	1	1	1	1							
34	M41030	Bolt M10x30 HT Galv	4	4	4	4							
35	M81001	Washer Non-slip M10	4	4	4	4							

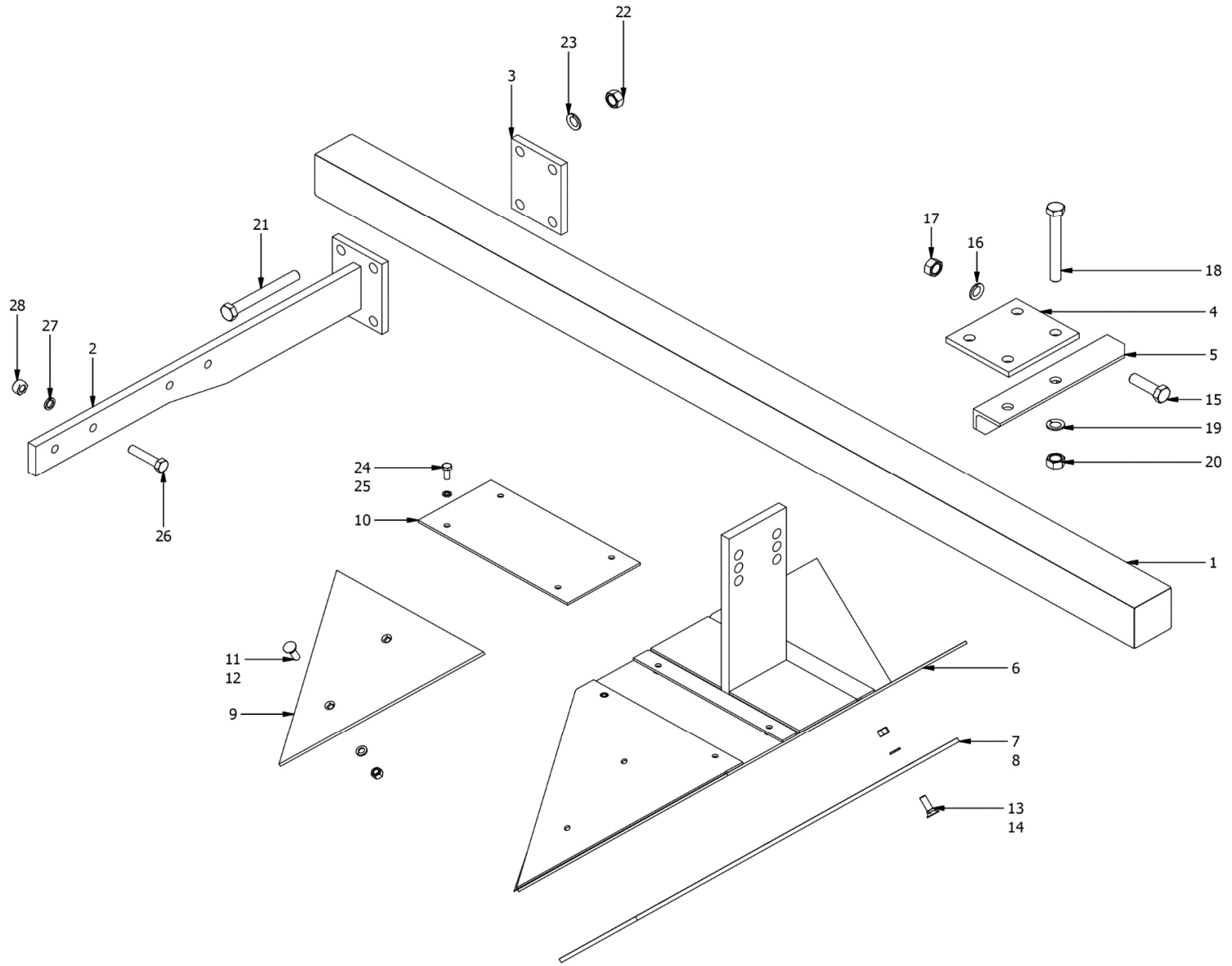
A/R = as required

# Rotavator - Drive and Rotor





# Rotavator - Bedformer



**Rotavator - Bedformer**

Item	Part No.	Description	125	150	175	200	Item	Part No.	Description	125	150	175	200
1	H0626	Tool bar Bedformer F125	1										
1	H0627	Tool bar Bedformer F150		1									
1	H0628	Tool bar Bedformer F175			1								
1	H0629	Tool bar Bedformer F200				1							
2	H7146	Carrier beam	2	2	2	2							
3	H0011	Attachment plate	2	2	2	2							
4	H0017	Attachment plate	2	2	2	2							
5	H0015	Mounting bracket 70x70x8	2	2	2	2							
6	H0010	Bedformer	2	2	2	2							
7	H0012	Wear plate R	2	2	2	2							
8	H0013	Wear plate L	2	2	2	2							
9	H0016	Wear plate F	2	2	2	2							
10	H0014	Cover	2	2	2	2							
11	M21240	Plough Bolt M12x40 + Nut Galv	4	4	4	4							
12	M91213	Washer Spring M12 Galv	4	4	4	4							
13	M21240	Plough Bolt M12x40 + Nut Galv	12	12	12	12							
14	M91213	Spring Washer M12 Galv	12	12	12	12							
15	M12070	Bolt M20x70 HT Galv	4	4	4	4							
16	M92004	Washer Spring M20	4	4	4	4							
17	M32015	Nut M20 Galv	4	4	4	4							
18	M420160	Bolt M20x160 HT Galv	8	8	8	8							
19	M92004	Washer Spring M20 Galv	8	8	8	8							
20	M32015	Nut M20 Galv	8	8	8	8							
21	M420170	Bolt M20x170 HT Galv	8	8	8	8							
22	M32015	Nut M20 Galv	8	8	8	8							
23	M92004	Washer Spring M20 Galv	8	8	8	8							
24	M11025	Bolt M10x25 + Nut Galv	8	8	8	8							
25	M91002	Washer Spring M10 Galv	8	8	8	8							
26	M41675	Bolt M16x75 HT Galv	8	8	8	8							
27	M91604	Washer Spring M16 Galv	8	8	8	8							
28	M31612	Nut M16 HT Galv	8	8	8	8							
29	M3175	Decal PROUD TO BE SOUTH AFRICAN	1	1	1	1							