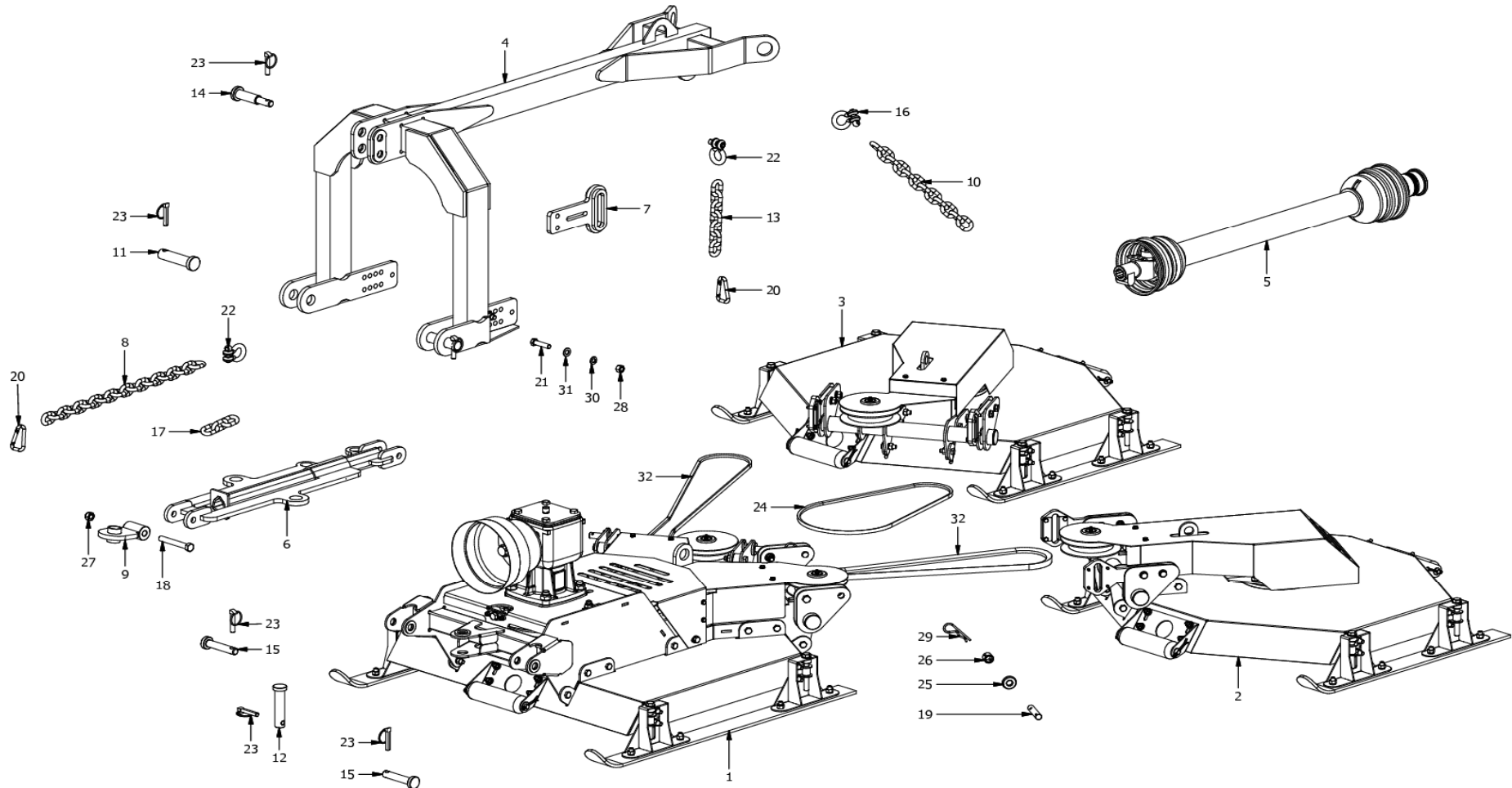


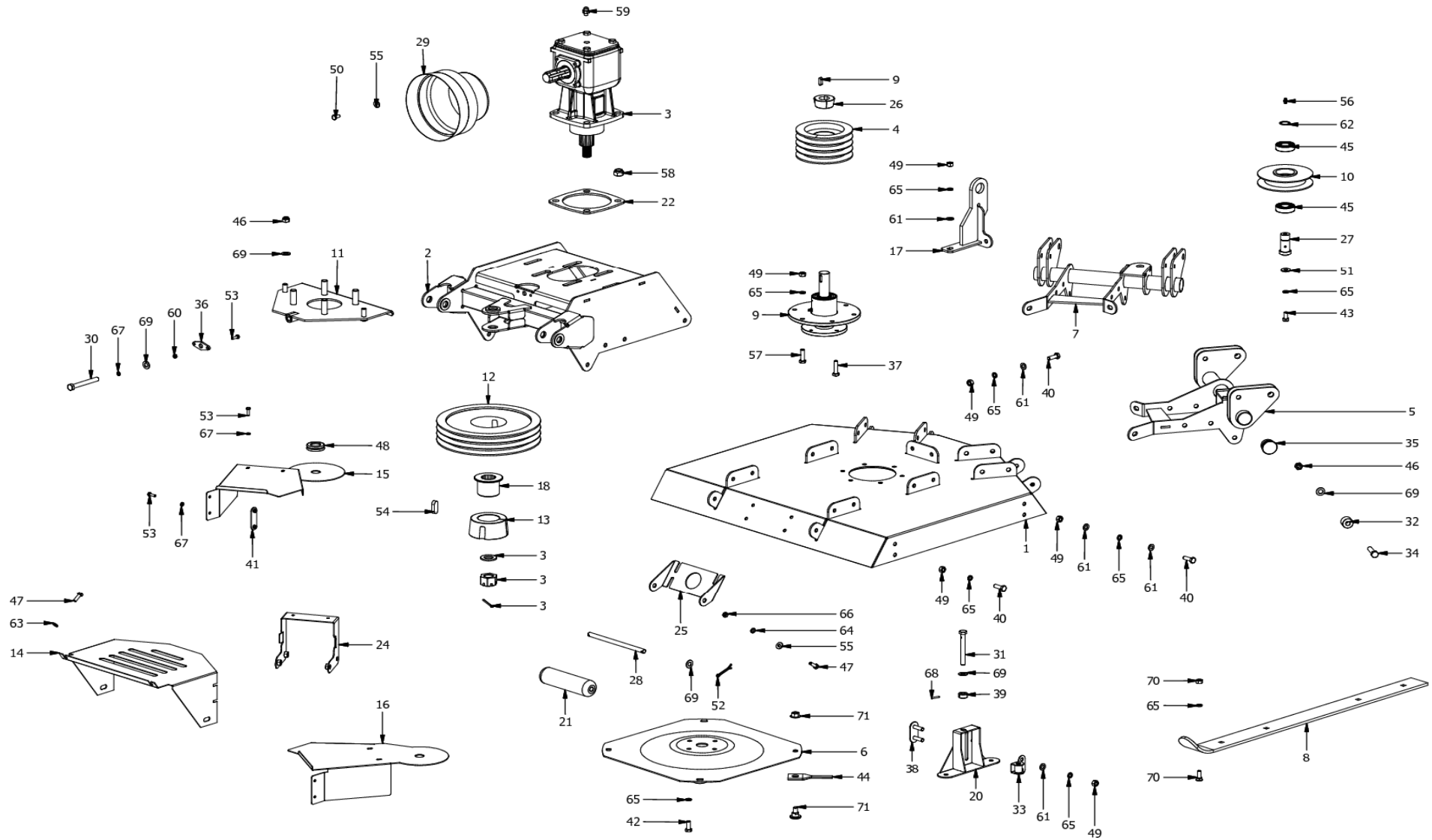
Rotagang
A0054



**Rotagang
A0054**

Item	Part No.	Description	Qty	Item	Part No.	Description	Qty
1	H5215	Deck assembly Front	1				
2	H5217	Deck assembly Left	1				
3	H5216	Deck assembly Right	1				
4	H5202	Carrier frame	1				
5	T400960CE112R12	PTO shaft B4 1.2m + O/R clutch F3	1				
6	RS127	Drawbar	1				
7	H5214	Adjuster	2				
8	H5245	Chain 2.0 T 9mm 45 links	2				
9	RS128A	Pivot plate Drawbar	2				
10	H5246	Chain 2.0 T 9mm 17 links	2				
11	H0643	Pin Btm link Cat2	2				
12	H0632	Pin Top link Cat2	1				
13	H5244	Chain 2.0 T 9mm 7 links	1				
14	H0633	Pin Top link Cat2/1	1				
15	H0631	Pin Top link Cat1	2				
16	M0620	Shackle 9mm	2				
17	H5247	Chain 2.0 T 9mm 3 links	1				
18	M114100	Bolt M14x100HT	2				
19	H5101	Pin 16x66 Special	4				
20	M0617	Quick-clip 10mm	5				
21	M41250	Bolt M12x50HT	6				
22	M0622	Shackle 7/16in 1.5T	7				
23	FLP11	Lynchpin 11mm	6				
24	M3837	Belt 1260x17	2				
25	M5102	Washer 16x36x7.0 Special Supamide	4				
26	H5150	Collar	4				
27	M61409	Nut Nyloc M14	2				
28	M31209	Nut M12	6				
29	M5235	R-clip 4mm	4				
30	M91213	Washer Spring M12	6				
31	M81202	Washer Flat M12	6				
32	RS032	Belt 2530x17	2				
33	M3176	Decal Brid FALCON Meduim	1				
34	M3003	Serial plate Metal FALCON	1				
35	M3170	Decal VERY IMPORTANT BEFORE USING.....	1				
36	M3171	Decal Baie Belangrik Alvorens U Die	1				
37	M1398	Decal Rotagang	1				
38	M3172	Decal DANGER STAY AWAY - ROTATING.....	1				
39	M3175	Decal PROUD TO BE SOUTH AFRICAN	1				
40	M3354	Decal No reverse 100mm	1				

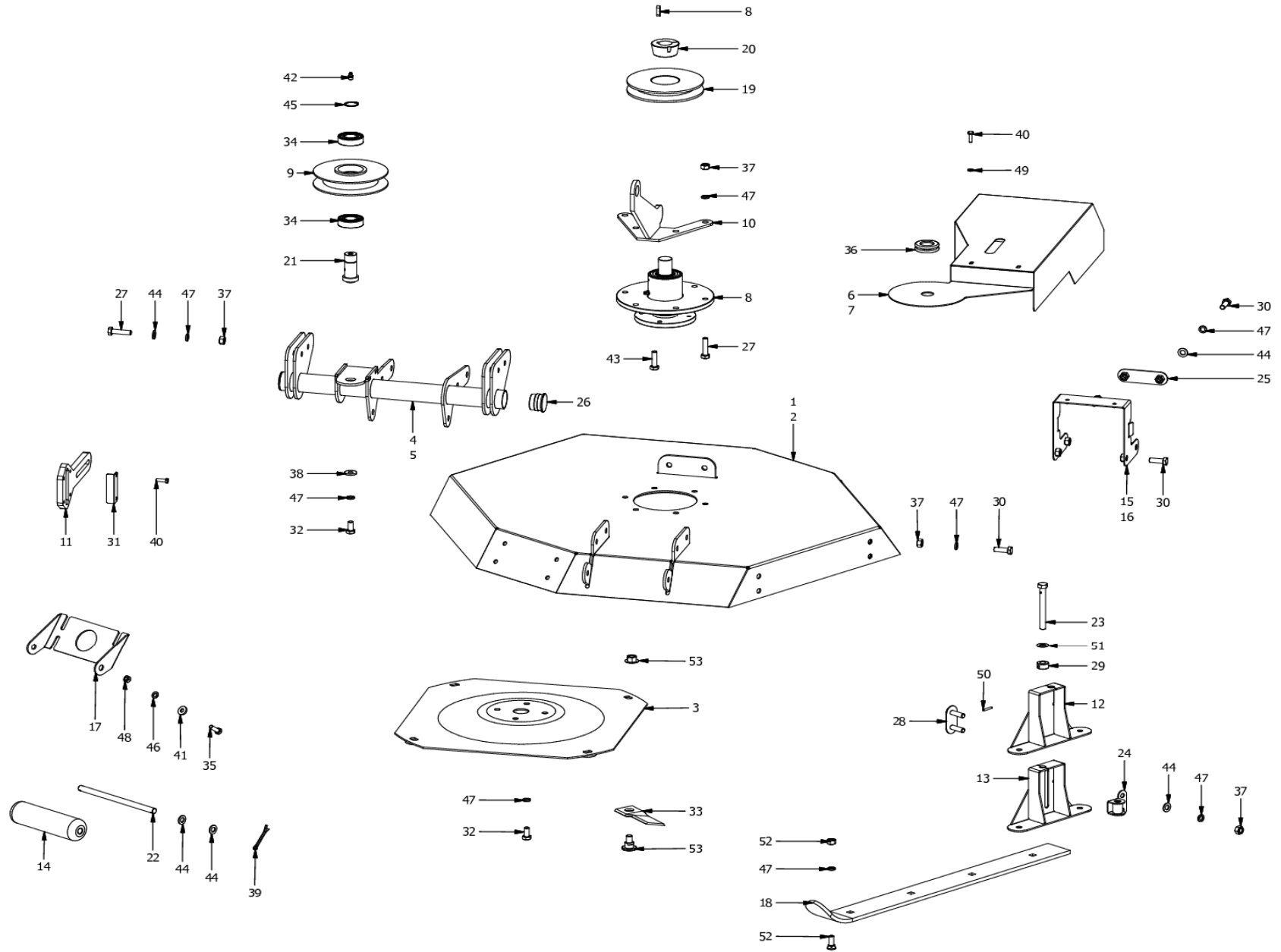
Deck assembly Front H5215



**Deck assembly Front
H5215**

Item	Part No.	Description	Qty	Item	Part No.	Description	Qty
1	H5106	Deck Front	1	41	H5195	Retainer 2-M10	2
2	H5110	Gearbox pedestal	1	42	M41025	Bolt M10x25HT	4
3	M1100	Gearbox F25	1	43	M41020	Bolt M10x20HT	2
4	RS064	Pulley SPB 150-4V-2517T/L	1	44	M8527	Blade 4.3x45x122.5-18.2 Kuhn	4
5	H5123	Pivot bracket Front Left	1	45	M5234	Bearing 6205-2RS	4
6	H5159	Disk 4-M12 PCD516	1	46	M61209	Nut Nyloc M12	6
7	H5127	Pivot bracket Front Right	1	47	M40825	Bolt M8x25HT	10
8	H5105	Skid runner Front	2	48	M5233	Grommet 25mm	2
9	H5170	Spindle assembly Long	1	49	M31007	Nut M10	30
10	RS116	Idler pulley	2	50	M40815	Bolt M8x16HT	4
11	H5157	Baseplate Belt tensioner	1	51	M8575	Washer 10x25x3	2
12	RS003	Pulley SPB 280-3V-3020T/L	1	52	M1399	Split pin B4x60	4
13	M5230	Taperlock bush 3020-60	1	53	M40620	Bolt M6x20HT	10
14	M5183	Guard Front Main	1	54	H5368	Key 8.8x18x40mm	1
15	H5185	Guard Front Right	1	55	M8576	Washer M8x20x3	12
16	M5184	Guard Front Left	1	56	M10039	Grease nipple 1/8inch	2
17	H5176	Lifting bracket	1	57	M41035	Bolt M10x35HT	5
18	H1143	Hub F25 Special	1	58	M61616F	Nut Nyloc M16F	4
19	H5140	Skid mounting bracket	2	59	LF1786700161	Plug Breather 1/4 BSP	1
20	H5144	Skid mounting bracket	2	60	M30607	Nut M6HT	2
21	H5181	Anti-scalping roller	2	61	M81002	Washer Flat M10	13
22	M5172	Spacer	1	62	M5242	Circlip External EXT0250	2
23	H5228	Guard bracket LH	1	63	M80803	Washer Flat M8	2
24	H5227	Guard bracket RH	1	64	M90813	Washer Spring M8	8
25	M5180	Brkt Anti-scalping roller	2	65	M91002	Washer Spring M10	44
26	M5231	Taperlock bush 2517-28	1	66	M31008	Nut M8	8
27	H5162	Stub shaft Idler pulley	2	67	M5229	Washer Flat M6	10
28	H5182	Axle Anti-scalping roller	2	68	M5243	Roll pin 4x25	4
29	M1141	PTO counter cone Comer	1	69	M81202	Washer Flat M12	19
30	M112100	Set screw M12x100HT	1	70	M21030	Plough bolt+nut M10x30HT	16
31	H5155	Leadscrew M12x100 Adjuster	4	71	M51233	Blade bolt+nut M12x33-12.9 Special	8
32	H5148	Bush 12.5x30x20	4				
33	H5152	Anchor plate Adjuster M12	4				
34	M41250	Bolt M12x50HT	4				
35	H5151	End cap	4				
36	M5161	Profile 5.0 MS PLB0	1				
37	M41040	Bolt M10x40HT	1				
38	H5218	Retainer 2-M10x35	4				
39	H5156	Collar	4				
40	M41030	Bolt M10x30HT	24				

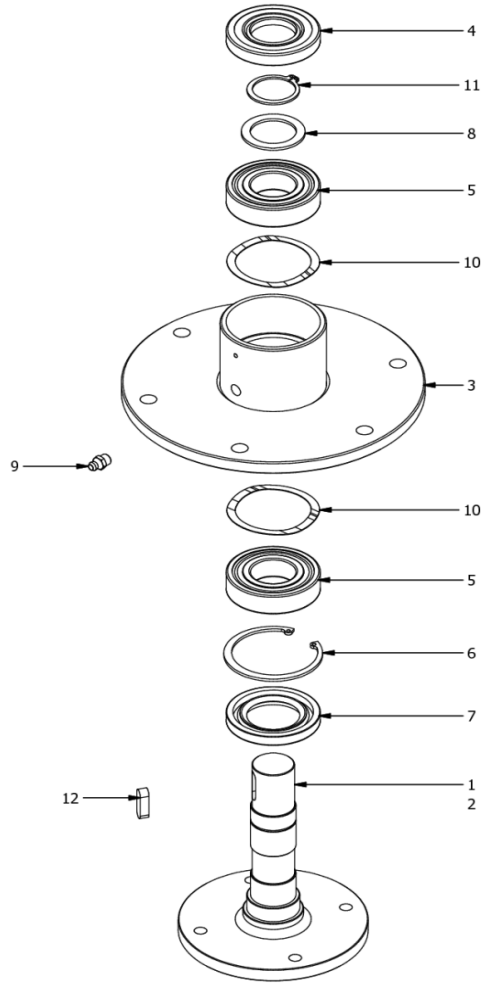
Deck assembly Left + Right H5216 + H5217



**Deck assembly Left + Right
H5216 + H5217**

Item	Part No.	Description	Qty	Item	Part No.	Description	Qty
1	H5117	Deck Right	1	41	M8576	Washer M8x20x3	8
2	H5120	Deck Left	1	42	M10039	Grease nipple 1/8inch	1
3	H5159	Disk 4-M12 PCD516	1	43	M41035	Bolt M10x35HT	2
4	H5137	Pivot mount Right	1	44	M81002	Washer Flat M10	26
5	H5133	Pivot mount Left	1	45	M5242	Circlip External EXT0250	1
6	H5189	Guard Rear Right	1	46	M90813	Washer Spring M8	8
7	M5188	Gaurd Rear Left	1	47	M91002	Washer Spring M10	35
8	H5163	Spindle assembly Short	1	48	M31008	Nut M8	8
9	RS116	Idler pulley	1	49	M5229	Washer Flat M6	2
10	H5173	Lifting lug rear	1	50	M5243	Roll pin 4x25	4
11	H5149	Pivot adjuster	2	51	M81202	Washer Flat M12	4
12	H5140	Skid mounting bracket	2	52	M21030	Plough bolt+nut M10x30HT	16
13	H5144	Skid mounting bracket	2	53	M51233	Blade bolt+nut M12x33-12.9 Special	8
14	H5181	Anti-scalping roller	2				
15	H5227	Guard bracket RH	1				
16	H5228	Guard bracket LH	1				
17	M5180	Bracket Anti-scalping roller	2				
18	H5104	Skid runner Rear	2				
19	RS061	Pulley SPB 150-1V-251T/L	1				
20	M5232	Taperlock bush 1610-28	1				
21	H5162	Stub shaft Idler pulley	1				
22	H5182	Axle Anti-scalping roller	2				
23	H5155	Leadscrew M12x100 Adjuster	4				
24	H5152	Anchor plate Adjuster M12	4				
25	H5197	Retainer 2-M10	1				
26	H5151	End cap	2				
27	M41040	Bolt M10x40HT	8				
28	H5218	Retainer 2-M10x35	4				
29	H5156	Collar	4				
30	M41030	Bolt M10x30HT	8				
31	M5103	Profile 1.2 SS PLB1	4				
32	M41020	Bolt M10x20HT	5				
33	M8527	Blade 4.3x45x122.5-18.2 Kuhn	4				
34	M5234	Bearing 6205-2RS	2				
35	M40825	Bolt M8x25HT	8				
36	M5233	Grommet 25mm	1				
37	M31007	Nut M10	20				
38	M8575	Washer 10x25x3	1				
39	M1399	Split pin B4x60	4				
40	M40620	Bolt M6x20HT	10				

**Spindle assembly Short + Long
H5163_H5170**



Item	Part No.	Description	Qty
1	H5166	Spindle shaft Short	1
2	H5171	Spindle shaft Long	1
3	H5220	Spindle housing	1
4	M5225	Seal Radial lip 30x62x10	1
5	M5224	Bearing 6206	2
6	M5222	Circlip Internal INT0600	1
7	M5226	Seal Radial lip 35x62x7	1
8	H5167	Washer 30.5x42x2	1
9	M10039	Grease nipple 1/8inch	1
10	M5223	Load washer Wave type EPL46	2
11	M5221	Circlip External EXT0300	1
12	H5377	Key 6x8x24mm	1

A/R = As required