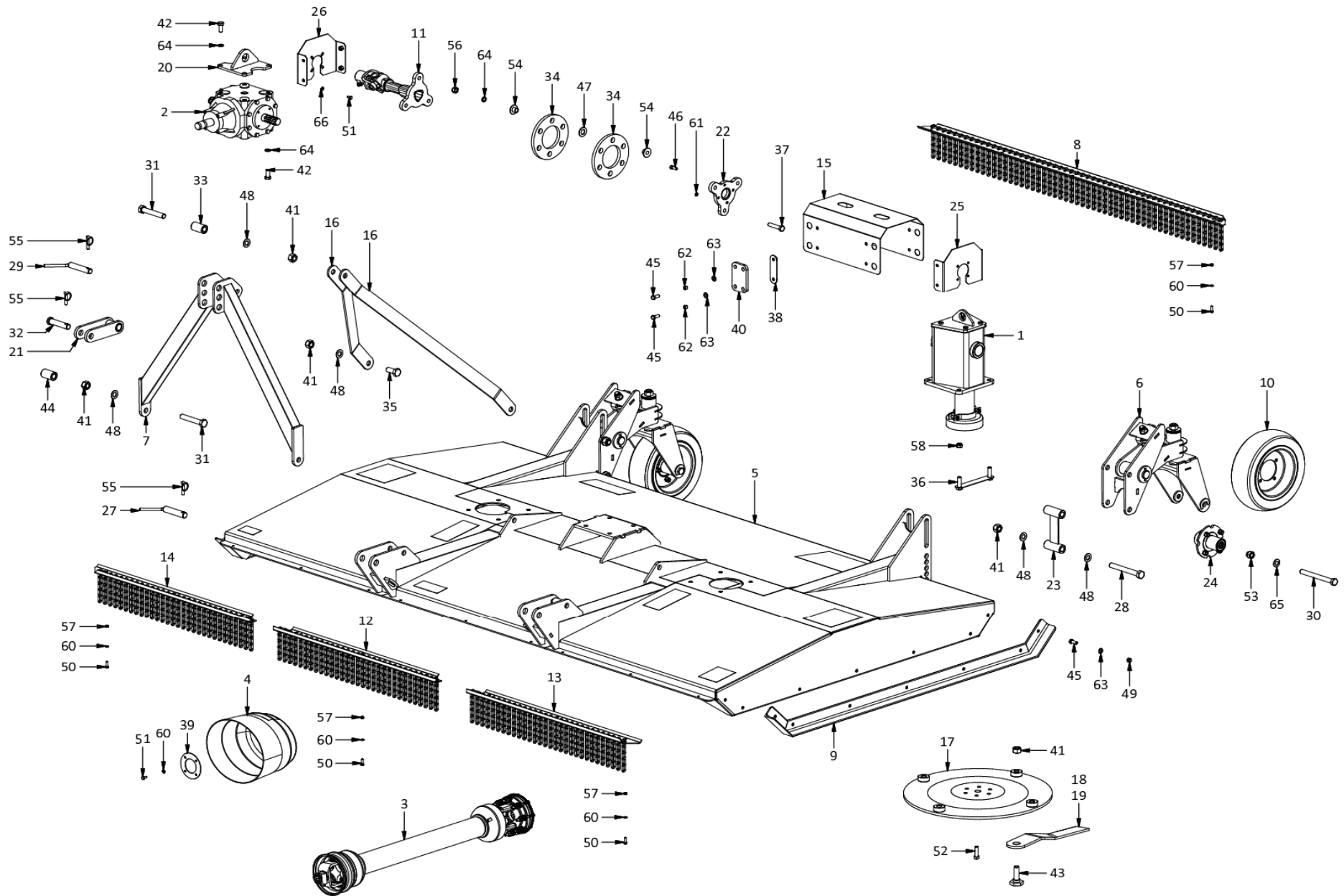


F50-300 Slasher
A0047



**F50-300 Slasher
A0047**

Item	Part No.	Description	Qty	Item	Part No.	Description	Qty
1	H1360	Gearbox F50VF	1	41	M62222	Nut Nyloc M22	13
2	T279A-927901600	Gearbox T279A	1	42	M41635	Bolt M16x35HT	8
3	T801010CE112F42	PTO shaft T80 1010	1	43	M52275	Blade bolt M22-10.9 Special	4
4	M5360	PTO counter cone	1	44	H5359	Bush 23x40x64	2
5	H5251	Deck Painted 3000	1	45	M41230	Bolt M12x30HT	46
6	H5278	Linkage Wheel	2	46	M3945	Cap screw M10x25	8
7	H5300	Top mast	1	47	M5350	Washer 24.5x45x3	12
8	H5310	Chain curtain Rear	1	48	M82203	Washer 22x40x3	13
9	H5366	Skid runner	2	49	M61209	Nut Nyloc M12	14
10	M3767	Wheel Laminated 4x8x15	2	50	M40825	Bolt M8x25HT	14
11	H5346	Shaft Intermed	2	51	M40815	Bolt M8x16HT	20
12	H5313	Chain curtain Centre	1	52	M41450	Bolt M14x50HT	12
13	H5316	Chain curtain Left	1	53	N20200201	Nut Nyloc M20	2
14	H5319	Chain curtain Right	1	54	H5328	Bush Stepped 17x45x19.5	24
15	M5336	Cover Intermed shaft	2	55	FLP11	Lynchpin 11mm	4
16	H5304	Mast Stay	2	56	M31612	Nut M16	12
17	H5321	Disk 4-M22 D595.25	2	57	M60809	Nut Nyloc M8	14
18	H1821	Blade 10x90x510-32.5	2	58	M61616F	Nut Nyloc M16F	8
19	H1822	Blade 10x90x510-32.5 RH	2	59	M3003	Serial plate	1
20	H5307	Lifting bracket	1	60	M80803	Washer Flat M8	18
21	H5325	Break link	1	61	M91002	Washer Spring M10	8
22	H5347	Profile	2	62	H5345	Bush 12.5x15.8x11	32
23	H5361	Spacer Wheel Adjuster	2	63	M81202	Washer Flat M12	46
24	H3880	Hub Assy 4-M20@D5in	2	64	M91604	Washer Spring M16	20
25	H5337	Bracket	2	65	M82001	Washer Flat M20	2
26	H5339	Bracket	2	66	M90813	Washer Spring M8	16
27	H7115	Pin Btm link Cat2 125mm	2	67	M3168	Decal Bird FALCON Large	1
28	M422180	Bolt M22x180HT	4	68	M3172	Decal DANGER STAY AWAY - ROTATING.....	2
29	H0634	Pin Top link Cat2-125	1	69	M3350	Decal F50-300	1
30	M420200	Bolt M20x200	2	70	M3171	Decal Baie Belangrik Alvorens U Die	1
31	M422130	Bolt M22x130HT	3	71	M3175	Decal PROUD TO BE SOUTH AFRICAN	1
32	H0632	Pin Top link Cat2	1	72	M3170	Decal VERY IMPORTANT BEFORE USING.....	1
33	H5303	Bush 23x40x67	1	73	M3187	Decal ATTENTION If your tractor is	1
34	M5351	Diaphragm M16-PCD165	4	74	M3174	Decal IMPORTANT WHEN LOADING.....	1
35	M42250	Bolt M22x50HT	2	75	M3173	Decal Lifting hook	1
36	H5357	Ganged bolts M16Fx55	4				
37	M41675	Bolt M16x75HT	12				
38	H5343	Nut set M12-2	8				
39	M5364	Backing plate M8-D95	1				
40	M5341	Damper Rubber	8				

**A0047 Wheel linkage & Hub
H5278 & H3880**

	Item	Part No.	Description	Qty
	1	H5279	Mounting bracket	1
	2	H5285	Swingarm Casting	1
	3	H5292	Wheel fork	1
	4	M5324	Spring 16x80x150-5AC	1
	5	H5299	Pin D40x189 Galv	1
	6	M420200	Bolt M20x200 Galv	1
	7	H5291	Bush 40.3x50x50	4
	8	M62222	Nut Nyloc M22 Galv	1
	9	H5323	Washer 40.5 x 65x10.0	2
	10	M5298	Washer 23x65x3.0 Galv	1
	11	M82001	Washer Flat M20	1
	12	N20200201	Nut Nyloc M20	1
	13	M3789	Sellock Pin D10x60	2
	14	H3881	Hub M20	1
	15	H3883	Bush 20.5x30x92mm	1
	16	H3888	Bush 20.5x30x9mm	2
	17	M0133	Bearing 6304 RS	2
	18	M31310	Nut 1/2" UNF	4
	19	M3889	Seal 30x52x8mm	2
	20	M91213	Washer Spring M12	4