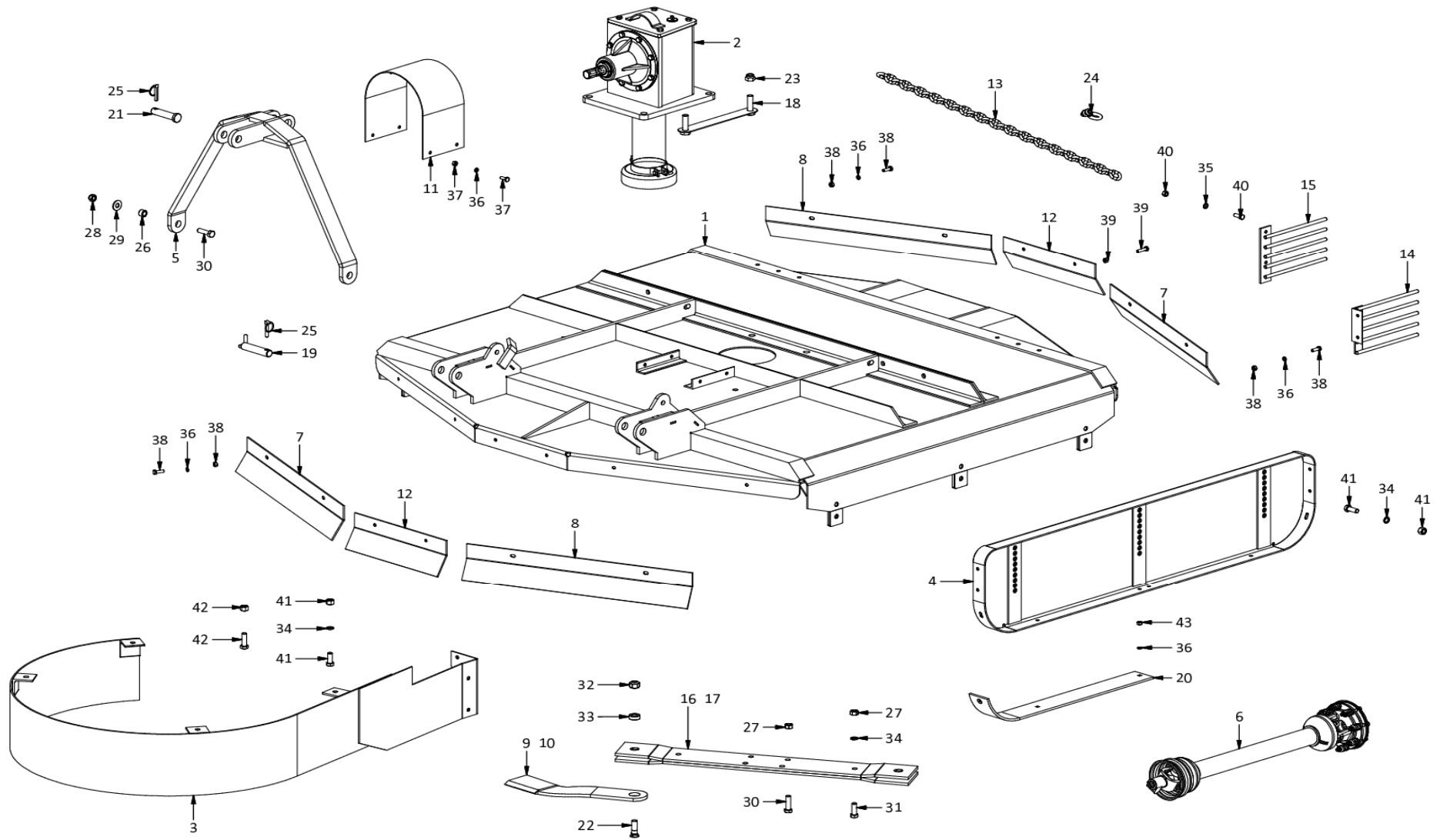


F80-200V & F80-200VH Haymaker  
A0040 & A0083



**F80-200V & F80-200VH Haymaker  
A0040 & A0083**

Item	Part No.	Description	Qty	Item	Part No.	Description	Qty
1	H0543A	Deck Painted 2000	1	41	M11640	Bolt+nut M16x40HT	30
2	H1401A	Gearbox F80V	1	42	M11650	Bolt+nut M16x50HT	2
3	H0805	Scroll F80/180V	1	43	M21030	Plough bolt+nut M10x30HT	24
4	H0406	Side panel	2	44	M3187	Decal ATTENTION If your tractor is ....	1
5	H0602	Top mast Cat2	1	45	M3171	Decal Baie Belangrik Alvorens U Die	1
6	T600960CE112F22	PTO shaft T60 960 112 F22	1	46	M3168	Decal Bird FALCON Large	1
7	H0213	Guard	2	47	M3176	Decal Bird Falcon Meduim	2
8	H0214	Guard	2	48	M3178	Decal Blade/Lem	1
9	H1809_new	Blade Banana 12x90x(545)-38.5	2	49	M3172	Decal DANGER STAY AWAY - ROTATING.....	1
10	H1460	Blade 8x90x(425)-32.5	2	50	M3154	Decal F80/200V Haymaker	1
11	H0702	PTO guard	1	51	M3174	Decal IMPORTANT WHEN LOADING.....	1
12	H0215	Guard	2	52	M3173	Decal Lifting hook	1
13	R0611	Chain GR5 10.0	1	53	M3175	Decal PROUD TO BE SOUTH AFRICAN	1
14	H0820	Fingers Left	1	54	M3170	Decal VERY IMPORTANT BEFORE USING.....	1
15	H0821	Fingers Right	1	55	M3117	Decal WARRANTY 2+3 WAARBORG.....	1
16	H1452	Blade beam 10x130 PCD945	2	56	M3003	Serial plate	1
17	H1476	Blade beam 10x130 PCD1145	2				
18	H1448	Ganged bolts 3/4UNFx2-1/2	2				
19	H7115	Pin Btm link Cat2 125mm	2				
20	H0422	Skid runner	4				
21	H0632	Pin Top link Cat2	1				
22	M51963	Blade bolt 3/4UNCx2-1/2 CSK HT	2				
23	M61919	Nut Nyloc 3/4UNF	4				
24	M0622	Shackle 7/16in 1.5T	4				
25	FLP11	Lynchpin 11mm	3				
26	H71617	Bush 16.5x25x17	2				
27	M31612	Nut M16	6				
28	M61616	Nut Nyloc M16	2				
29	M81603	Washer M16x40x3	2				
30	M41655	Bolt M16x55HT	6				
31	M41645	Bolt M16x45HT	2				
32	M61921	Nut Nyloc 3/4UNC CSK	2				
33	M73814	Bush 19x38x13	2				
34	M91604	Washer Spring M16	18				
35	M91213	Washer Spring M12	2				
36	M91002	Washer Spring M10	30				
37	M11025	Bolt+nut M10x25HT	8				
38	M11030	Bolt+nut M10x25HT	26				
39	M11040	Bolt+nut M10x25HT	2				
40	M11230	Bolt+nut M12x30	4				

**Gearbox F80V  
H1401A**

	Item	Part No.	Description	Qty
	1	M1413	Bearing 390	1
	2	M1412	Bearing 394A	1
	3	H1414	Gear Bevel Z28/z6	1
	4	H82802	Washer 29x50x4	1
	5	M1415	Nut Slotted 1-1/8in	1
	6	M41225	Bolt M12x25HT	12
	7	M81201	Washer Star M12	8
	8	H1410	Input cover F80	1
	9	M1434	Shim Input 0.1 Plastic	A/R
	10	M1411	Gasket Input F80	1
	11	H1409	Shaft Input 1-3/8 Z6	1
	12	M1408	Bearing LM29710	1
	13	M1407	Bearing LM29749	1
	14	M1404	Seal Lip 187275	1
	15	M1406	O-ring 34.5x3.5	1
	16	H1405	Seal Lip	1
	17	M1403	Washer Tabbed KM06	1
	18	H1402	Locknut M36x2.0	1
	19	M1439	Plug + Dipstick	1
	20	H1420A	Cover Gearbox F80	1
	21	M1421A	Gasket Top F80	1
	22	H1418A	Housing F80V	1
	23	H1428	Dust cover	1
	24	M41045	Bolt M10x45HT	2
	25	M31007	Nut M10	2
	26	M1422	Nut Slotted 1-1/4in	1
	27	M1446	Washer Hard 32x50x2	1
	28	H1423	Gear Beval Z15/z10	1
	29	M1441	Shim 38x60x0.5	A/R
	30	M1440	Shim 38x60x0.25	A/R
	31	M1442	Shim 38x60x1.0	A/R
	32	M1424	Bearing 3577	1
	33	M1425	Bearing 3525	1
	34	H1429	Retainer Domed	1
	35	M1430	Bearing 28920	1
	36	M1431	Bearing 28985	1
	37	M1432	Seal Lip 300400	2
	38	M1433	Seal Felt 75x100x12	1
	39	H1427	Shaft Output F80V	1
	40	M1416	Split pin B5x60	2