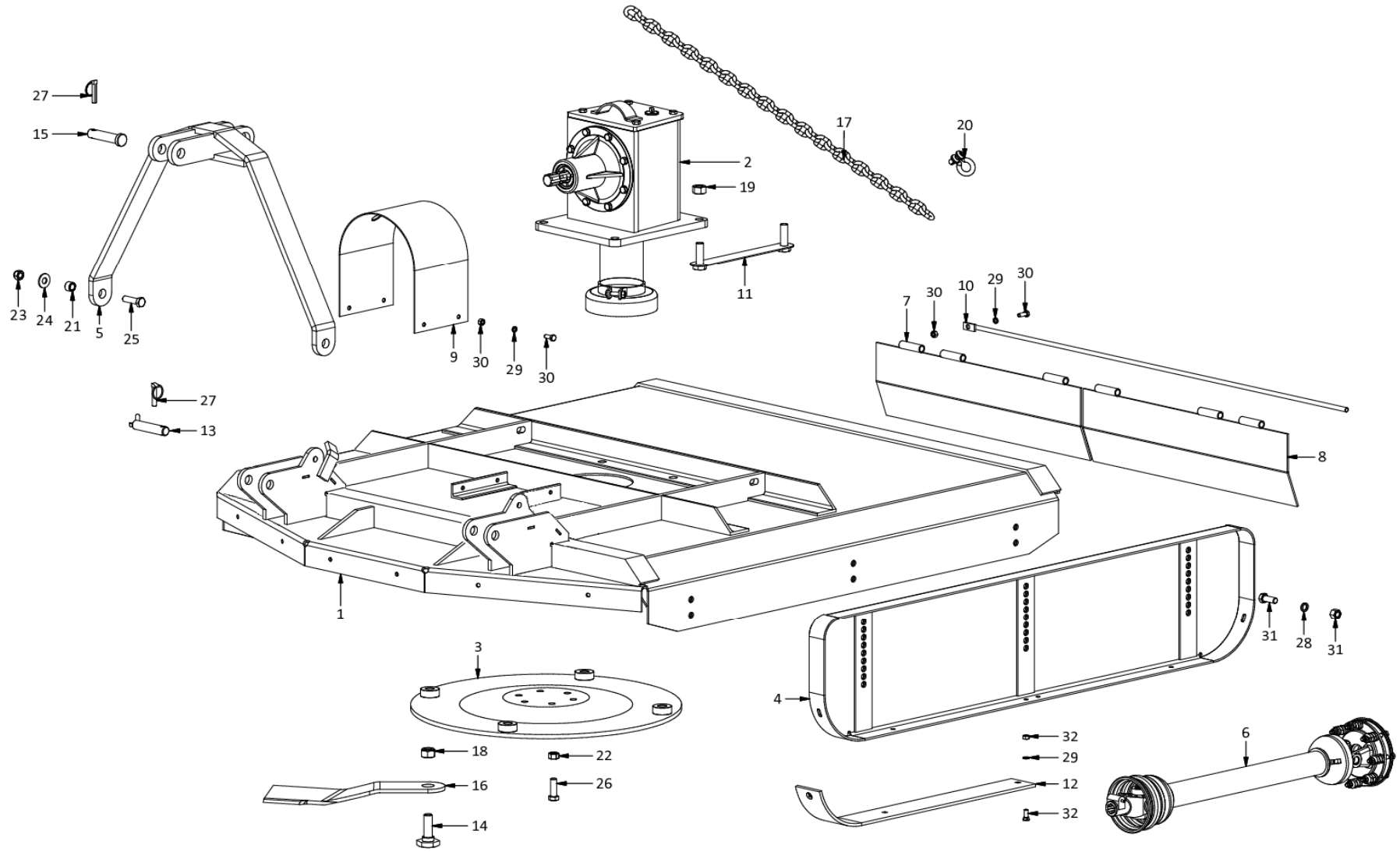


F80-150-4 Slasher  
A0031-4



**F80-150-4 Slasher**

**A0031-4**

Item	Part No.	Description	Qty	Item	Part No.	Description	Qty
1	H0530A	Deck Painted 1500	1	41	M3174	Decal IMPORTANT WHEN LOADING.....	1
2	H1400A	Gearbox F80	1	42	M3173	Decal Lifting hook	1
3	H1260	Disk 4-M22 PCD650	1	43	M3175	Decal PROUD TO BE SOUTH AFRICAN	1
4	H0406	Side panel	2	44	M3170	Decal VERY IMPORTANT BEFORE USING.....	1
5	H0602	Top mast Cat2	1	45	M3117	Decal WARRANTY 2+3 WAARBORG.....	1
6	T600960CE112F22	PTO shaft T60 960 112 F22	1	46	M8400	Operators manual Slashers	1
7	H0204	Flap Rear 1800	1				
8	H0205	Flap Rear 1800	1				
9	H0702	PTO guard	1				
10	H0102	Pin Hinge 1500	1				
11	H1448	Ganged bolts 3/4UNFx2-1/2	2				
12	H0422	Skid runner 8x90	4				
13	H7115	Pin Btm link Cat2-125	2				
14	M52275	Blade bolt M22-10.9 Special	4				
15	H0632	Pin Top link Cat2	1				
16	H1801	Blade Banana 10x90x(440)-32.5	4				
17	R0611	Chain GR5 10.0	1				
18	M62222	Nut Nyloc M22	4				
19	M61919	Nut Nyloc 3/4UNF	4				
20	M0622	Shackle 7/16in 1.5T	2				
21	H71617	Bush 16x25x17	2				
22	M31612	Nut M16	6				
23	M61616	Nut Nyloc M16	2				
24	M81603	Washer M16x40x3	2				
25	M41655	Bolt M16x55HT	2				
26	M41650	Bolt M16x50HT	6				
27	FLP11	Lynchpin 11mm	3				
28	M91604	Washer Spring M16	12				
29	M91002	Washer Spring M10	17				
30	M11025	Bolt+nut M10x25HT	10				
31	M11640	Bolt+nut M16x40HT	24				
32	M21030	Plough bolt+nut M10x30HT	24				
33	M3003	Serial plate	1				
34	M3187	Decal ATTENTION If your tractor is ....	1				
35	M3171	Decal Baie Belangrik Alvorens U Die	1				
36	M3168	Decal Bird FALCON Large	1				
37	M3176	Decal Bird Falcon Meduim	2				
38	M3178	Decal Blade/Lem	1				
39	M3172	Decal DANGER STAY AWAY - ROTATING.....	1				
40	M3145	Decal F80/150/4 Slasher	1				

**Gearbox F80  
H1400A**

Item	Part No.	Description	Qty
1	M1413	Bearing 390	1
2	M1412	Bearing 394A	1
3	H1414	Gear Bevel Z28/z6	1
4	H82802	Washer 29x50x4	1
5	M1415	Nut Slotted 1-1/8in	1
6	M41225	Bolt M12x25HT	12
7	M81201	Washer Star M12	8
8	H1410	Input cover F80	1
9	M1434	Shim Input 0.1 Plastic	A/R
10	M1411	Gasket Input F80	1
11	H1409	Shaft Input 1-3/8 Z6	1
12	M1408	Bearing LM29710	1
13	M1407	Bearing LM29749	1
14	M1404	Seal Lip 187275	1
15	M1406	O-ring 34.5x3.5	1
16	H1405	Seal Lip	1
17	M1403	Washer Tabbed KM06	1
18	H1402	Locknut M36x2.0	1
19	M1439	Plug + Dipstick	1
20	H1420A	Cover Gearbox F80	1
21	M1421A	Gasket Top F80	1
22	H1417A	Housing F80	1
23	H1428	Dust cover	1
24	M41045	Bolt M10x45HT	2
25	M31007	Nut M10	2
26	M1422	Nut Slotted 1-1/4in	1
27	M1446	Washer Hard 32x50x2	1
28	H1423	Gear Beval Z15/z10	1
29	M1441	Shim 38x60x0.5	A/R
30	M1440	Shim 38x60x0.25	A/R
31	M1442	Shim 38x60x1.0	A/R
32	M1424	Bearing 3577	1
33	M1425	Bearing 3525	1
34	H1429	Retainer Domed	1
35	M1430	Bearing 28920	1
36	M1431	Bearing 28985	1
37	M1432	Seal Lip 300400	2
38	M1433	Seal Felt 75x100x12	1
39	H1426	Shaft Output F80	1
40	M1416	Split pin B5x60	2

