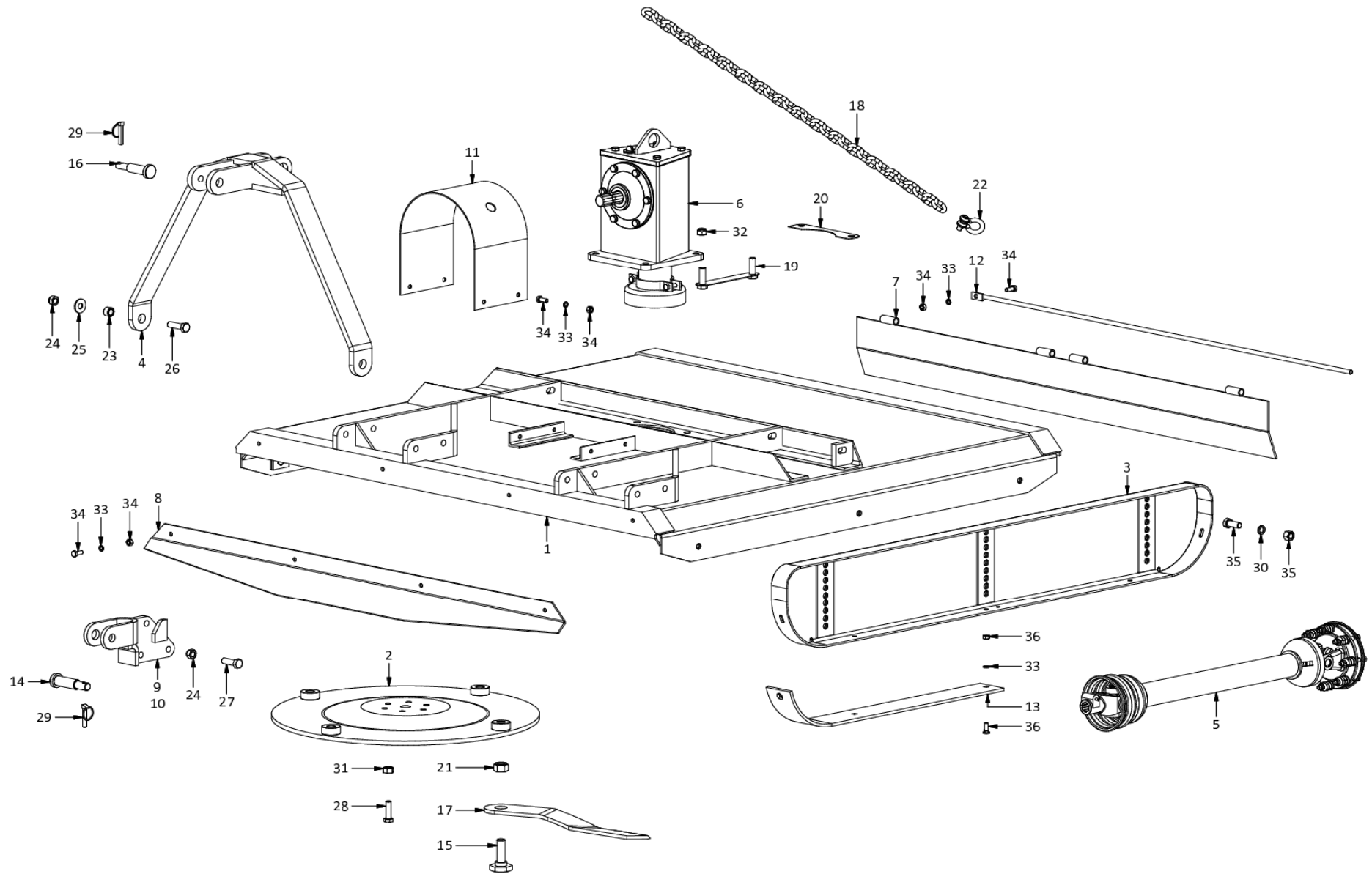


F50-150-4 Slasher
A0021-4

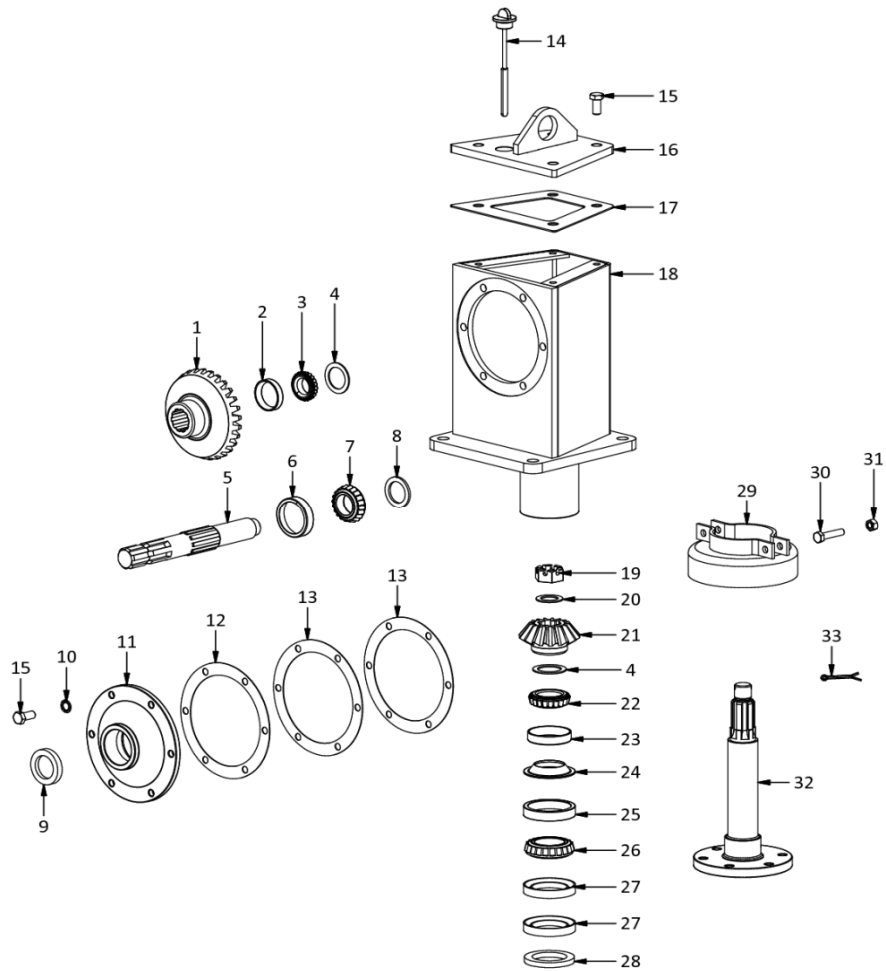


F50-150-4 Slasher

A0021-4

| Item | Part No. | Description | Qty | Item | Part No. | Description | Qty |
|------|-----------------|---|-----|------|----------|--|-----|
| 1 | H0520 | Deck Painted 1500 | 1 | 41 | M3176 | Decal Bird Falcon Meduim | 2 |
| 2 | H1256 | Disk 4-M22 PCD650 | 1 | 42 | M3178 | Decal Blade/Lem | 1 |
| 3 | H0404 | Side panel | 2 | 43 | M3172 | Decal DANGER STAY AWAY - ROTATING..... | 1 |
| 4 | H0603 | Top mast Cat1/2 | 1 | 44 | M3134 | Decal F50/150/4 Slasher | 1 |
| 5 | T600960CE112F22 | PTO shaft T60 960 112 F22 | 1 | 45 | M3174 | Decal IMPORTANT WHEN LOADING..... | 1 |
| 6 | H1300 | Gearbox F50 | 1 | 46 | M3173 | Decal Lifting hook | 1 |
| 7 | H0202 | Flap Rear 1500 | 1 | 47 | M3175 | Decal PROUD TO BE SOUTH AFRICAN | 1 |
| 8 | H0253 | Skirt 1500 | 1 | 48 | M3170 | Decal VERY IMPORTANT BEFORE USING..... | 1 |
| 9 | H0655 | Clevis Right +stop | 1 | 49 | M3117 | Decal WARRANTY 2+3 WAARBORG..... | 1 |
| 10 | H0654 | Clevis Left | 1 | 50 | M8400 | Operators manual Slashers | 1 |
| 11 | H0702 | PTO guard | 1 | | | | |
| 12 | H0102 | Pin Hinge 1500 | 1 | | | | |
| 13 | H0422 | Skid runner 8x90 | 4 | | | | |
| 14 | H0645 | Pin Btm link Cat2/1 | 2 | | | | |
| 15 | M52275 | Blade bolt M22-10.9 Special | 4 | | | | |
| 16 | H0633 | Pin Top link Cat2/1 | 1 | | | | |
| 17 | H1801 | Blade Banana 10x90x(440)-32.5 | 4 | | | | |
| 18 | R0611 | Chain GR5 10.0 | 2 | | | | |
| 19 | H5357 | Ganged bolts M16Fx55 | 2 | | | | |
| 20 | M0623 | Spacer | 1 | | | | |
| 21 | M62222 | Nut Nyloc M22 | 4 | | | | |
| 22 | M0622 | Shackle 7/16in 1.5T | 2 | | | | |
| 23 | H71617 | Bush 16x25x17 | 2 | | | | |
| 24 | M61616 | Nut Nyloc M16 | 6 | | | | |
| 25 | M81603 | Washer M16x40x3 | 2 | | | | |
| 26 | M41655 | Bolt M16x55HT | 2 | | | | |
| 27 | M41650 | Bolt M16x50HT | 4 | | | | |
| 28 | M41450 | Bolt M14x50HT | 6 | | | | |
| 29 | FLP11 | Lynchpin 11mm | 3 | | | | |
| 30 | M91604 | Washer Spring M16 | 6 | | | | |
| 31 | M31410 | Nut M14 | 6 | | | | |
| 32 | M61616F | Nut Nyloc M16F | 4 | | | | |
| 33 | M91002 | Washer Spring M10 | 21 | | | | |
| 34 | M11025 | Bolt+nut M10x25HT | 18 | | | | |
| 35 | M11640 | Bolt+nut M16x40HT | 12 | | | | |
| 36 | M21030 | Plough bolt+nut M10x30HT | 24 | | | | |
| 37 | M3003 | Serial plate | 1 | | | | |
| 38 | M3187 | Decal ATTENTION If your tractor is | 1 | | | | |
| 39 | M3171 | Decal Baie Belangrik Alvorens U Die | 1 | | | | |
| 40 | M3168 | Decal Bird FALCON Large | 1 | | | | |

**Gearbox F50
H1300**



| Item | Part No. | Description | Qty |
|------|----------|------------------------|-----|
| 1 | H1310 | Gear Bevel Z29/z10 | 1 |
| 2 | M1311 | Bearing L44610 | 1 |
| 3 | M1312 | Bearing L44649 | 1 |
| 4 | M1313 | Shim 35x49x0.25 | A/R |
| 4 | M1341 | Shim 35x49x0.5 | A/R |
| 4 | M1342 | Shim 35x49x1.0 | A/R |
| 5 | H1309 | Shaft Input 1-3/8 Z6 | 1 |
| 6 | M1306 | Bearing LM48510 | 1 |
| 7 | M1307 | Bearing LM48548 | 1 |
| 8 | H1308 | Washer Hard 50x35x4 | 1 |
| 9 | M1301 | Seal Radial lip 137227 | 1 |
| 10 | M81201 | Washer Star M12 | 6 |
| 11 | H1303 | Input cover F50 | 1 |
| 12 | M1304 | Gasket Input F50 | 1 |
| 13 | M1305 | Shim 0.1mm Plastic | A/R |
| 14 | M1334 | Plug + Dipstick F50 | 1 |
| 15 | M41225 | Bolt M12x25HT | 10 |
| 16 | H1321A | Cover Gearbox F50 | 1 |
| 17 | M1320 | Gasket Top F50 | 1 |
| 18 | H1314 | Housing F50 | 1 |
| 19 | M1319 | Nut Slotted 1.0UNF | 1 |
| 20 | M1343 | Washer 40x26x2 | 1 |
| 21 | H1318 | Gear Bevel Z16/z6 | 1 |
| 22 | M1407 | Bearing LM29749 | 1 |
| 23 | M1408 | Bearing LM29710 | 1 |
| 24 | H1324 | Retainer Domed | 1 |
| 25 | M1327 | Bearing 603011 | 1 |
| 26 | M1328 | Bearing 603049 | 1 |
| 27 | M1325 | Seal Radial lip 103905 | 2 |
| 28 | M1326 | Seal Felt 75x50x10 | 1 |
| 29 | H1323 | Dust cover | 1 |
| 30 | M41045 | Bolt M10x45HT | 2 |
| 31 | M31007 | Nut M10 | 2 |
| 32 | H1315 | Shaft Output F50 | 1 |
| 33 | M1416 | Split pin B5x60 | 1 |