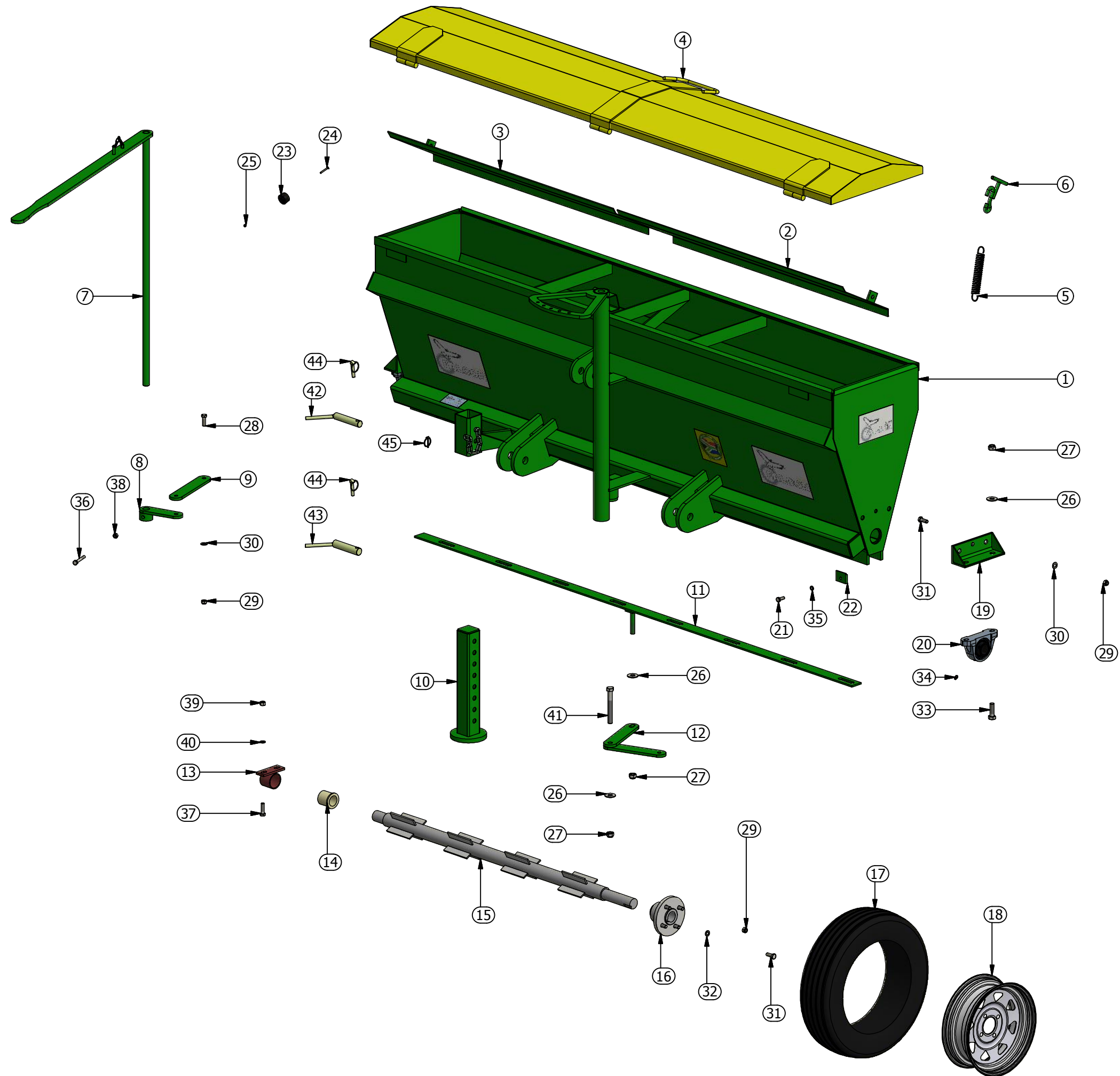


LIMESREADER / KALKSTROOIER



MANUAL / HANDLEIDING





**Limespreader - F400 Mounted
A0065**

Item	Part No.	Description	Qty	Item	Part No.	Description	Qty
1	H3515	Hull Complete Limespreader F400	1	43	H7115	Pin Top link Cat 2	2
2	H5371	Deflector LH F500	1	44	FLP11	Linchpin 11mm	3
3	H5372	Deflector RH F500	1	45	FLP4	Lynchpin 4mm	1
4	H5369	Lid F400	1	46	M3176	Decal Bird Falcon Meduim	2
5	M3512	Spring 30x130-23	1	47	M3169	Decal Bird Falcon	2
6	H3539	Handle T-grip	1	48	M3175	Decal PROUD TO BE SOUTH AFRICAN	1
7	H3534	Handle	1	49	M3003	Serial plate Metal FALCON	1
8	H3543	Linkage 125mm	1	50	M3161	Decal F400 Limespreader	1
9	M3541	Tyre 195R14C 8ply	1				
10	H3545	Stand	1				
11	H5373	Shutter 2.4m 8-slot	1				
12	H3535	Linkage Intermediate R200mm	1				
13	H3508	Plummer block D52.0	2				
14	H3509	Bushes Nylon 40.0x52.0	2				
15	H3516	Rotor Limespreader F400	2				
16	H3507	Wheel hub 4/100	2				
17	M3521	Tyre 195R14C 8ply	2				
18	M3520	Rim White 6Jx14" 4/100	2				
19	H3540	Mounting bracket	2				
20	M3504	Bearing UCP208	2				
21	M41025	Bolt M10x25 HT Galv	16				
22	H3517	Guide block	16				
23	M3519	Stopper M5-40mm Rubber	1				
24	M10530	Bolt M5x30	1				
25	M30506	Nut Nyloc M5	1				
26	M81603	Washer M16x40x3.0	6				
27	M61616	Nut Nyloc M16	6				
28	M41235	Bolt M12x35 HT Galv	2				
29	M61209	Nut Nyloc M12	16				
30	M81202	Washer Flat M12	8				
31	M41230	Bolt M12x30 HT Galv	8				
32	M91213	Washer Spring M12	2				
33	M41650	Bolt M16x50 HT Galv	4				
34	M10039	Grease nipple 1/8"	2				
35	M91002	Washer Spring M10 Galv	16				
36	M41070	Bolt M10x70 HT Galv	1				
37	M41240	Bolt M12x40 HT Galv	4				
38	M31007	Nut M10	1				
39	M31209	Nut M12	4				
40	M81002	Washer Flat M10	4				
41	M416140	Bolt M16x140 HT Galv	1				
42	H0634	Pin Top link Cat 2	1				

FALCON F400 LIMESPREADER

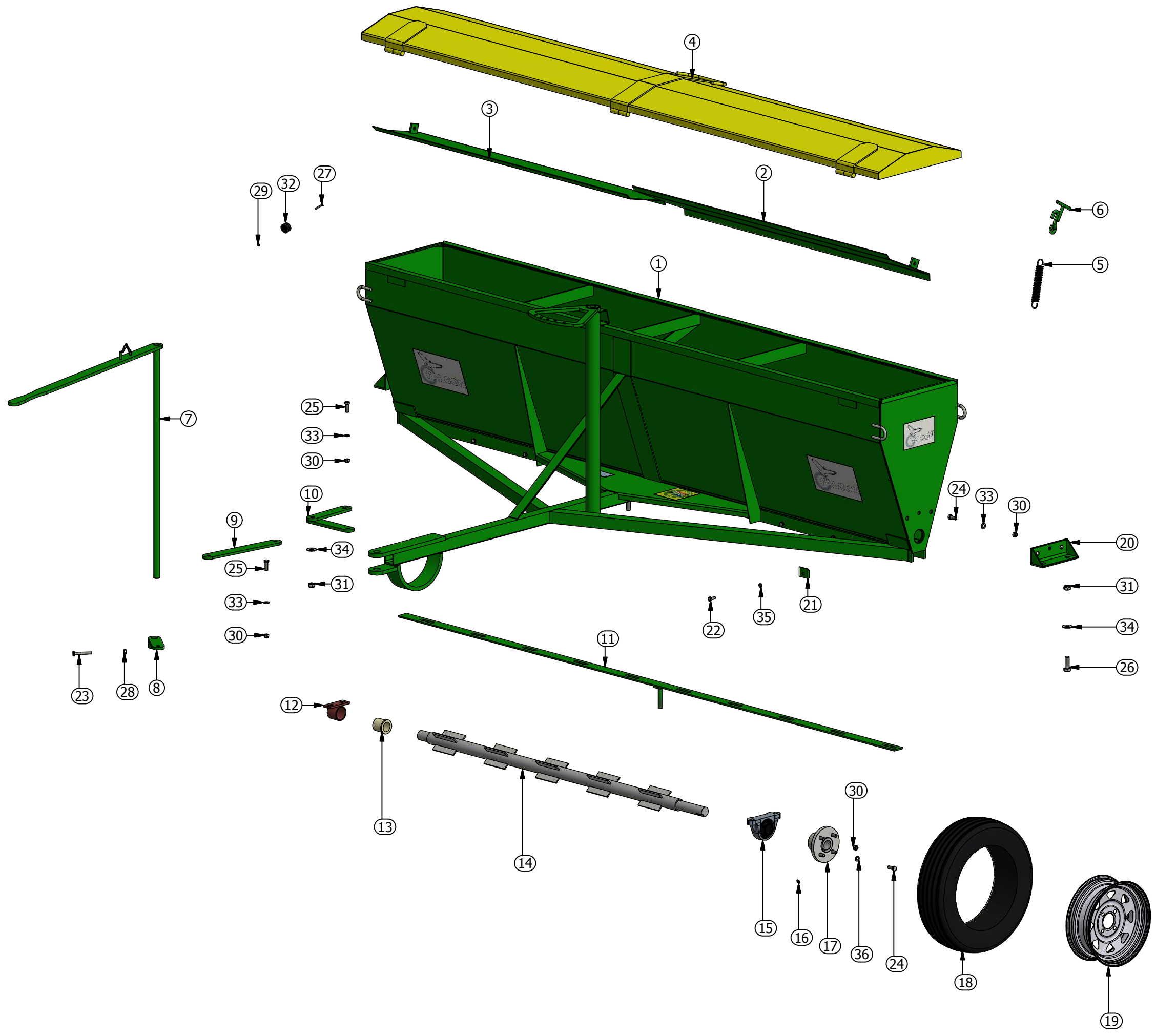
Calibration test with 100 Kg

100 Kg spread over travelled Meters	M²	Application rate Kg / Ha	100 Kg spread over travelled Meters	M²	Application rate Kg / Ha
100	240	4167	230	552	1812
105	252	3968	235	564	1773
110	264	3788	240	576	1736
115	276	3623	245	588	1701
120	288	3472	250	600	1667
125	300	3333	255	612	1634
130	312	3205	260	624	1603
135	324	3086	265	636	1572
140	336	2976	270	648	1543
145	348	2874	275	660	1515
150	360	2778	280	672	1488
155	372	2688	285	684	1462
160	384	2604	290	696	1437
165	396	2525	295	708	1412
170	408	2451	300	720	1389
175	420	2381	305	732	1366
180	432	2315	310	744	1344
185	444	2252	315	756	1323
190	456	2193	320	768	1302
195	468	2137	325	780	1282
200	480	2083	330	792	1263
205	492	2033	335	804	1244
210	504	1984	340	816	1225
215	516	1938	345	828	1208
220	528	1894	350	840	1190
225	540	1852	355	852	1174

Calibration

1. Fill spreader with only **100 Kg** of Lime.
2. Choose shutter setting on setting bar.
3. Spread Lime and measure the distance for **100 Kg** to empty.
4. Make changes to shutter lever for desired application rate.

PLEASE NOTE:	Calibration is for the FALCON F400 LIMESPREADER.
	Inaccuracies in the physical properties of material can lead to variations in results. Make adjustments accordingly.



**Limespreader - F500 Trailed
A0065**

Item	Part No.	Description	Qty	Item	Part No.	Description	Qty
1	H3500	Hull Complete Limespreader F500	1				
2	H3537	Deflector LH F500	1				
3	H3538	Deflector RH F500	1				
4	H3536	Lid F500	1				
5	M3512	Spring 30x130-23	1				
6	H3539	Handle T-grip	1				
7	H3534	Handle	1				
8	H3543	Linkage 125mm	1				
9	H3541	Linkage 350mm	1				
10	H3535	Linkage Intermediate R200mm	1				
11	H3542	Shutter 3.0m 10-slot	1				
12	H3508	Plummer block D52.0	2				
13	H3509	Bushes Nylon 40.0x52.0	2				
14	H3506	Rotor Limespreader F500	2				
15	M3504	Bearing UCP208	2				
16	M10039	Grease nipple 1/8"	2				
17	H3507	Wheel hub 4/100	2				
18	M3521	Tyre 195R14C 8ply	2				
19	M3520	Rim White 6Jx14" 4/100	2				
20	H3540	Mounting bracket	2				
21	H3517	Guide block	20				
22	M41025	Bolt M10x25 HT Galv	20				
23	M41070	Bolt M10x70 HT Galv	1				
24	M41230	Bolt M12x30 HT Galv	8				
25	M41235	Bolt M12x35 HT Galv	2				
26	M41650	Bolt M16x50 HT Galv	4				
27	M10530	Bolt M5x30	1				
28	M31007	Nut M10	1				
29	M30506	Nut Nyloc M5	1				
30	M61209	Nut Nyloc M12	16				
31	M61616	Nut Nyloc M16	6				
32	M3519	Stopper M5-40mm Rubber	1				
33	M81202	Washer Flat M12	8				
34	M81603	Washer M16x40x3.0	6				
35	M91002	Washer Spring M10 Galv	20				
36	M91213	Washer Spring M12	2				
37	M3169	Decal Bird Falcon	2				
38	M3176	Decal Bird Falcon Meduim	2				
39	M3162	Decal F500 Limespreader	1				
40	M3175	Decal PROUD TO BE SOUTH AFRICAN	1				
41	M3003	Serial plate Metal FALCON	1				

FALCON F500 LIMESPREADER

Calibration test with 100 Kg

<u>100 Kg</u> spread over travelled <u>Meters</u>	M ²	Application rate Kg / Ha	<u>100 Kg</u> spread over travelled <u>Meters</u>	M ²	Application rate Kg / Ha
100	300	3333	230	690	1449
105	315	3175	235	705	1418
110	330	3030	240	720	1389
115	345	2899	245	735	1361
120	360	2778	250	750	1333
125	375	2667	255	765	1307
130	390	2564	260	780	1282
135	405	2469	265	795	1258
140	420	2381	270	810	1235
145	435	2299	275	825	1212
150	450	2222	280	840	1190
155	465	2151	285	855	1170
160	480	2083	290	870	1149
165	495	2020	295	885	1130
170	510	1961	300	900	1111
175	525	1905	305	915	1093
180	540	1852	310	930	1075
185	555	1802	315	945	1058
190	570	1754	320	960	1042
195	585	1709	325	975	1026
200	600	1667	330	990	1010
205	615	1626	335	1005	995
210	630	1587	340	1020	980
215	645	1550	345	1035	966
220	660	1515	350	1050	952
225	675	1481	355	1065	939

Calibration

1. Fill spreader with only 100 Kg of Lime.
2. Choose shutter setting on setting bar.
3. Spread Lime and measure the distance for 100 Kg to empty.
4. Make changes to shutter lever for desired application rate.

PLEASE NOTE:	Calibration is for the FALCON F500 LIMESPREADER.
	Inaccuracies in the physical properties of material can lead to variations in results. Make adjustments accordingly.